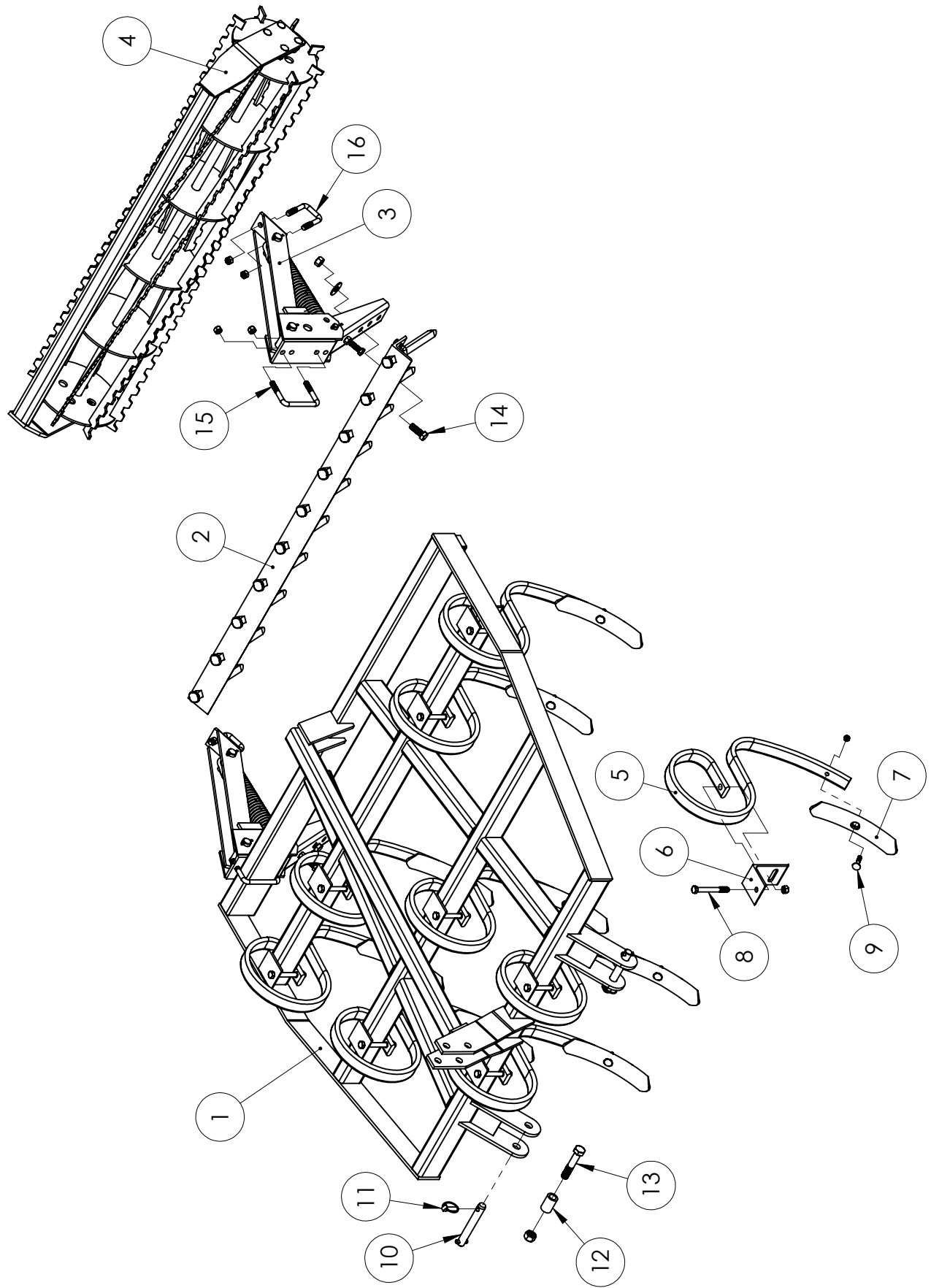
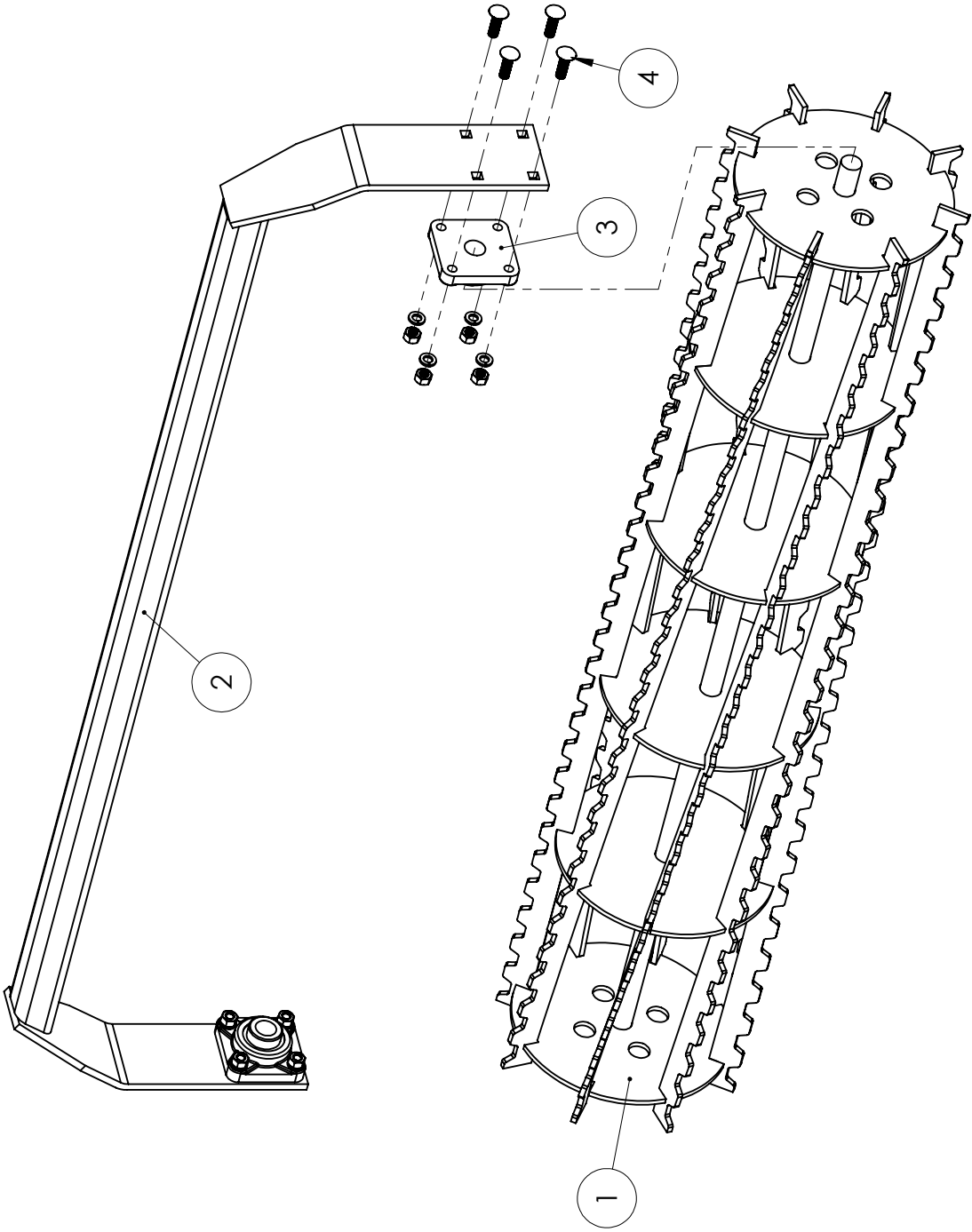


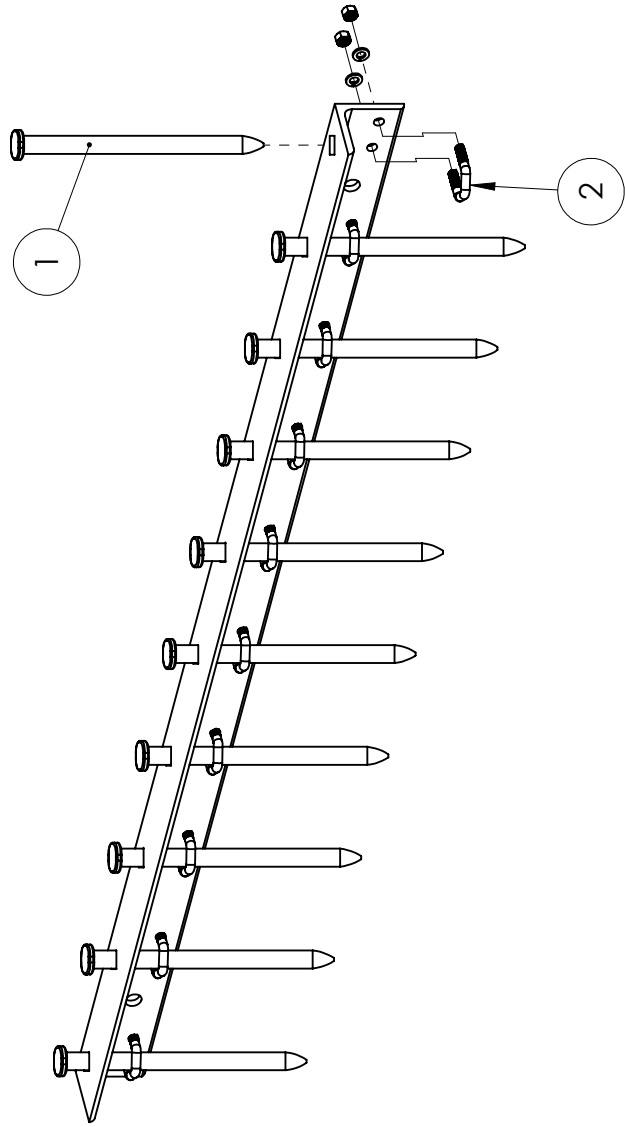
SOIL CONDITIONER ASSEMBLY



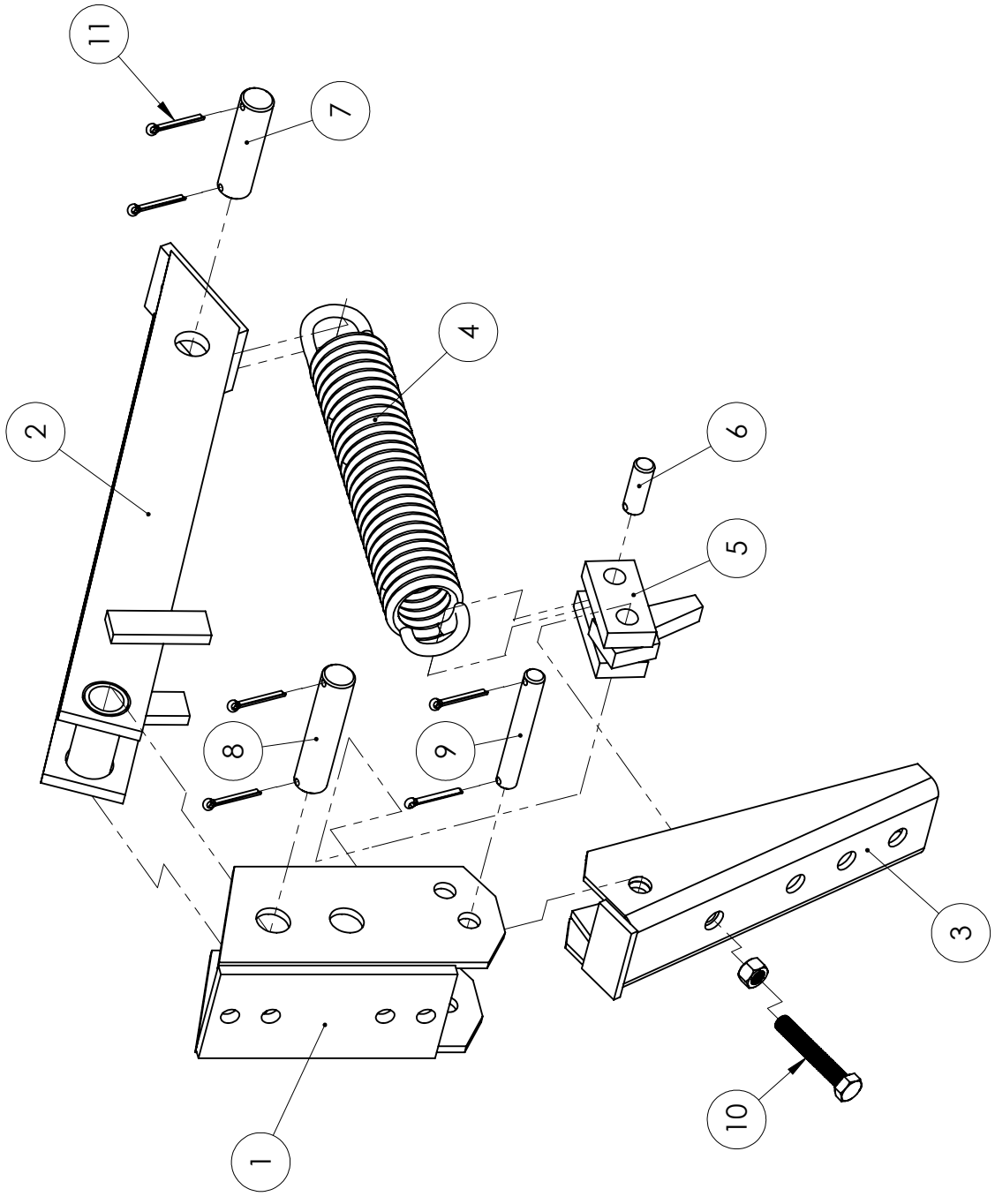
CRUMBLER ASSEMBLY



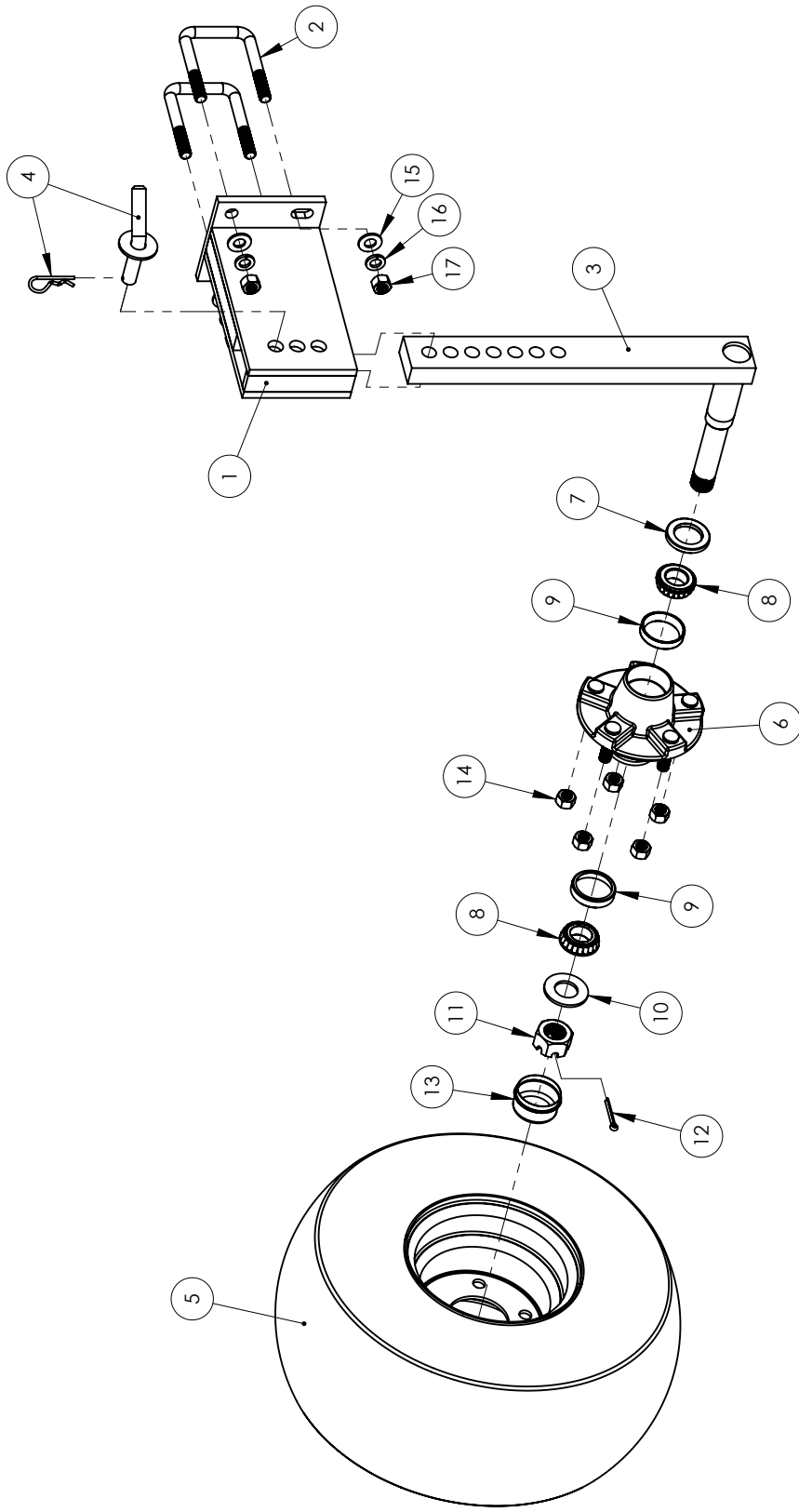
SPIKE BAR ASSEMBLY



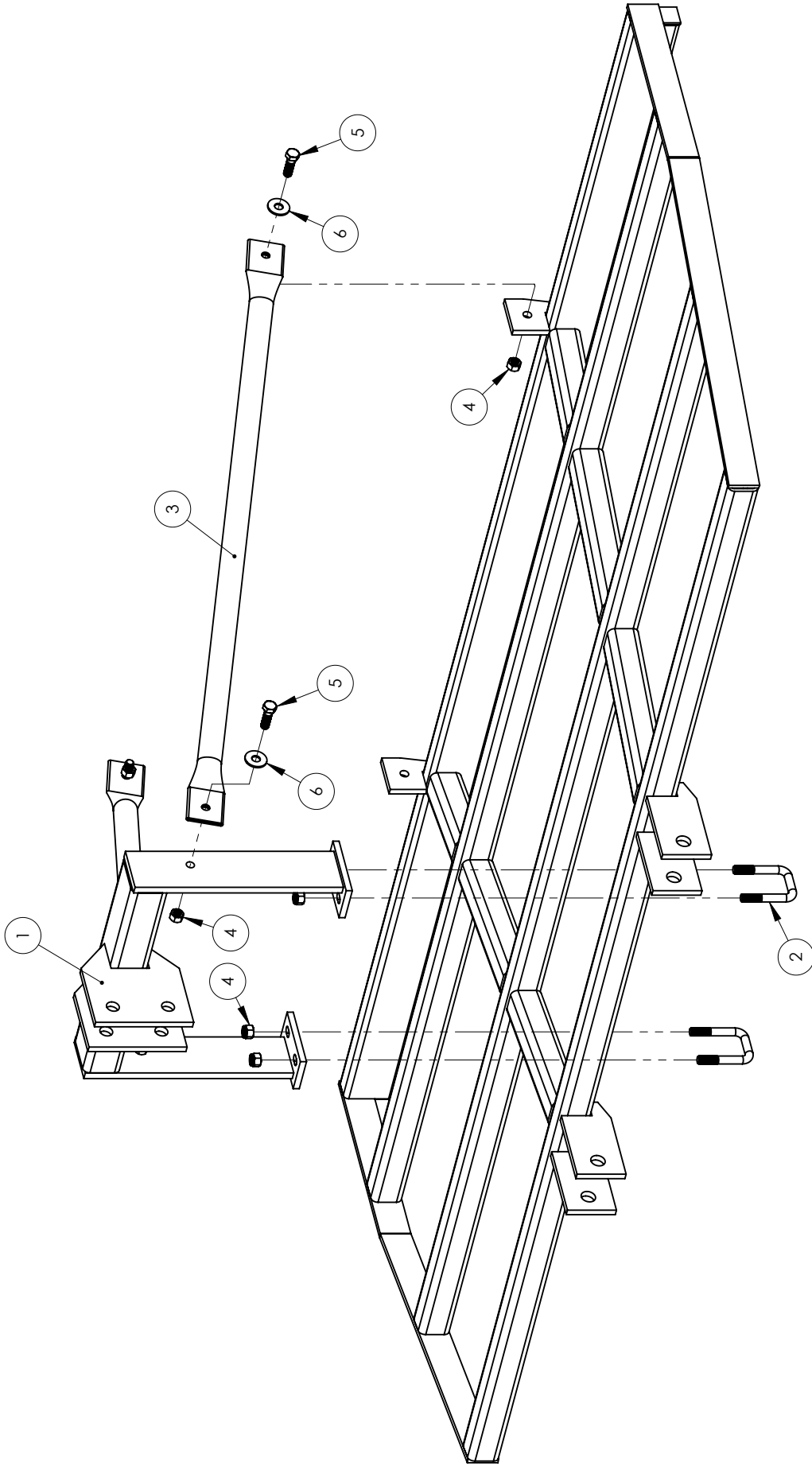
SPRING ARM ASSEMBLY



GAUGE WHEEL ASSEMBLY



SC10-15 HITCH ASSEMBLY



SC-SOIL CONDITIONER SUB-ASSEMBLIES

ITEM	QTY	PART NO	DESCRIPTION
			MAIN FRAME WELDMENT
	1	3003	3' Frame Only
	1	3003-5	3 1/2' Frame Only
	1	3004	4' Frame Only
	1	3004-5	4 1/2' Frame Only
	1	3005	5' Frame Only
	1	3009	5 1/2' Frame Only
	1	3006	6' Frame Only
	1	3007	7' Frame Only
	1	3008	8' Frame Only
	1	3010	10' Frame Only
	1	3011	11' Frame Only
	1	3012	12' Frame Only
	1	3013	13' Frame Only
	1	3014	14' Frame Only
	1	3015	15' Frame Only
			SC10-15 HITCH ASSEMBLY
1	1	3301-A	3-Point Hitch Top Bracket
2	2	3197	5/8" X 2 1/2" X 4" NC U-Bolt
3	2	3303-A	Hitch Brace
4	8	064-013-1	5/8" NC Nylock Nut
5	4	007-103-1	5/8" x 2" NC Gr. 5 Cap Screw
6	4	068-008-1	5/8" Flat Washer
			SPRING ARM ASSEMBLY
		3040	Spring Arm Complete
1	1	3041	Spring Arm Base
2	1	3043	Spring Arm Extension
3	1	3042	Spike Bar Mount
4	1	3152	Spring
5	1	3044	Spring Tension Adjustment Bracket
6	1	3187	5/8" x 1 7/8" Pin
7	1	3185	1" x 4" Pin, (order 2 - 3193 with this pin)
8	1	3184	1" x 4 1/2" Pin, (order 2 - 3193 with this pin)
9	1	3186	5/8" x 4 1/2" Pin, (order 2 - 3193 with this pin)
10	1	3192	1/2" x 3" NC Tap Bolt w/nut
11	6	3193	3/16" x 1 1/2" Cotter Pin
			SPIKE BAR ASSEMBLY
		3063	3' Spike Bar Complete *with 6 - 3150 and 6 - 3191
		3063-5	3 1/2' Spike Bar Complete *with 7 - 3150 and 7 - 3191
		3064	4' Spike Bar Complete *with 8 - 3150 and 8 - 3191
		3064-5	4 1/2' Spike Bar Complete *with 9 - 3150 and 9 - 3191
		3065	5' Spike Bar Complete *with 10 - 3150 and 10 - 3191
		3068	5 1/2' Spike Bar Complete *with 11 - 3150 and 11 - 3191
		3066	6' Spike Bar Complete * with 12 - 3150 and 10 - 3191
		3067	7' Spike Bar Complete * with 14 - 3150 and 14 - 3191
		3069	8' Spike Bar Complete *with 16 - 3150 and 16 - 3191
1	*	3150	3/4" x 11" Spike
2	*	3191	3/8" NC V-Bolt w/ Nuts And Lock Washers

ITEM	QTY	PART NO	DESCRIPTION
			CRUMBLER ASSEMBLY
		3113	3' Crumbler Complete
		3113-5	3 1/2' Crumbler Complete
		3114	4' Crumbler Complete
		3114-5	4 1/2' Crumbler Complete
		3115	5' Crumbler Complete
		3118	5 1/2' Crumbler Complete
		3116	6' Crumbler Complete
		3117	7' Crumbler Complete
		3119	8' Crumbler Complete
1	1	3083	3' Crumbler
	1	3083-5	3 1/2' Crumbler
	1	3084	4' Crumbler
	1	3084-5	4 1/2' Crumbler
	1	3085	5' Crumbler
	1	3088	5 1/2' Crumbler
	1	3086	6' Crumbler
	1	3087	7' Crumbler
	1	3089	8' Crumbler
2	1	3093	3' Crumbler Brace
	1	3093-5	3 1/2' Crumbler Brace
	1	3094	4' Crumbler Brace
	1	3094-5	4 1/2' Crumbler Brace
	1	3095	5' Crumbler Brace
	1	3098	5 1/2' Crumbler Brace
	1	3096	6' Crumbler Brace
	1	3097	7' Crumbler Brace
	1	3099	8' Crumbler Brace
3	2	3157	Crumbler Bearing w/lock Collar
4	8	AV-0301	7/16" NC Carriage Bolt w/Nut & Lock Washer
			GAUGE WHEEL ASSEMBLY
		GW	1 Pair - Gauge Wheel Assemblies
		3162	Complete 2000 HG 2 K Hub Group Bearing Kit
1	2	3127	Gauge Wheel Mounting Clamp
2	4	BB-0135	1/2" U-Bolt
3	2	3125	Gauge Wheel Shank/Spindle Weldment
4	2	3126	5/8" Adjustment Pin w/Keeper
5	2	3160	18.5 x 8.5 x 8 LRC Tire & Wheel
6	2	3161	Hub 545 w/ Bearing Races
7	2	3163	Seal
8	4	3164	Bearing L44643
9	4	3165	Race L44610
10	2	3166	Washer
11	2	3167	Slotted Nut
12	2	3168	Cotter Pin
13	2	3169	Cap
14	10	3170	1/2" Lug Nut
15	8	069-210-1	1/2" Flat Washer
16	8	072-011-1	1/2" Lock Washer
17	8	059-405-1	1/2" NC Hex Nut

SC-SOIL CONDITIONER ASSEMBLY

ITEM	QTY	PART NO	DESCRIPTION
SC3-3' SOIL CONDITIONER ASSEMBLY			
1	1	3003	3' Frame Only
2	1	3063	3' Spike Bar Assembly
3	2	3040	Spring Arm Assembly
4	1	3113	3' Crumber Assembly
5	5	3153	S-Tine Shank
6	5	3195-A	S-Tine Clamp
7	5	3154	Reversible Point
	5	3155	Optional 7" Sweep (not shown)
8	5	3196-A	1/2" x 4" NC Gr. 5 Carriage Bolt w/Nylock Nut
9	5	3156	3/8" x 2" NC Plow Bolt w/Nut
10	2	3180	Cat I Hitch Pin
11	2	3182	7/16" Lynch Pin
12	1	CP-0164	Top Link Bushing
13	1	AV-0313	3/4" x 4 1/2" NC Gr. 5 Cap Screw w/Nylock
14	2	CP-0160-A	Top Link Plate
15	6	3190	5/8" x 1 3/4" NC Gr. 5 Cap Screw w/Flat Washer & Nylock Nut
16	2	3188	1/2" x 4" x 3 1/4" Channel Bolt w/Nylock Nuts
17	2	3189	1/2" x 2" x 3 1/4" Channel Bolt w/Nylock Nuts

SC3 1/2-3 1/2' SOIL CONDITIONER ASSEMBLY			
1	1	3003-5	3 1/2' Frame Only
2	1	3063-5	3 1/2' Spike Bar Assembly
3	2	3040	Spring Arm Assembly
4	1	3113-5	3 1/2' Crumber Assembly
5	6	3153	S-Tine Shank
6	6	3195-A	S-Tine Clamp
7	6	3154	Reversible Point
	6	3155	Optional 7" Sweep (not shown)
8	6	3196-A	1/2" x 4" NC Gr. 5 Carriage Bolt w/Nylock Nut
9	6	3156	3/8" x 2" NC Plow Bolt w/Nut
10	2	3180	Cat I Hitch Pin
11	2	3182	7/16" Lynch Pin
12	1	CP-0164	Top Link Bushing
13	1	AV-0313	3/4" x 4 1/2" NC Gr. 5 Cap Screw w/Nylock
14	2	CP-0160-A	Top Link Plate
15	6	3190	5/8" x 1 3/4" NC Gr. 5 Cap Screw w/Flat Washer & Nylock Nut
16	2	3188	1/2" x 4" x 3 1/4" Channel Bolt w/Nylock Nuts
17	2	3189	1/2" x 2" x 3 1/4" Channel Bolt w/Nylock Nuts

SC4-4' SOIL CONDITIONER ASSEMBLY			
1	1	3004	4' Frame Only
2	1	3064	4' Spike Bar Assembly
3	2	3040	Spring Arm Assembly
4	1	3114	4' Crumber Assembly
5	7	3153	S-Tine Shank
6	7	3195-A	S-Tine Clamp
7	7	3154	Reversible Point
	7	3155	Optional 7" Sweep (not shown)
8	7	3196-A	1/2" x 4" NC Gr. 5 Carriage Bolt w/Nylock Nut
9	7	3156	3/8" x 2" NC Plow Bolt w/Nut
10	2	3180	Cat I Hitch Pin
11	2	3182	7/16" Lynch Pin
12	1	CP-0164	Top Link Bushing
13	1	AV-0313	3/4" x 4 1/2" NC Gr. 5 Cap Screw w/Nylock
14	2	CP-0160-A	Top Link Plate
15	6	3190	5/8" x 1 3/4" NC Gr. 5 Cap Screw w/Flat Washer & Nylock Nut
16	2	3188	1/2" x 4" x 3 1/4" Channel Bolt w/Nylock Nuts
17	2	3189	1/2" x 2" x 3 1/4" Channel Bolt w/Nylock Nuts

SC4 1/2-4 1/2' SOIL CONDITIONER ASSEMBLY			
1	1	3004-5	4 1/2' Frame Only
2	1	3064-5	4 1/2' Spike Bar Assembly
3	2	3040	Spring Arm Assembly
4	1	3114-5	4 1/2' Crumber Assembly
5	8	3153	S-Tine Shank
6	8	3195-A	S-Tine Clamp
7	8	3154	Reversible Point
	8	3155	Optional 7" Sweep (not shown)
8	8	3196-A	1/2" x 4" NC Gr. 5 Carriage Bolt w/Nylock Nut
9	8	3156	3/8" x 2" NC Plow Bolt w/Nut
10	2	3180	Cat I Hitch Pin
11	2	3182	7/16" Lynch Pin
12	1	CP-0164	Top Link Bushing
13	1	AV-0313	3/4" x 4 1/2" NC Gr. 5 Cap Screw w/Nylock
14	2	CP-0160-A	Top Link Plate
15	6	3190	5/8" x 1 3/4" NC Gr. 5 Cap Screw w/Flat Washer & Nylock Nut
16	2	3188	1/2" x 4" x 3 1/4" Channel Bolt w/Nylock Nuts
17	2	3189	1/2" x 2" x 3 1/4" Channel Bolt w/Nylock Nuts

SC5-5' SOIL CONDITIONER ASSEMBLY			
1	1	3005	5' Frame Only
2	1	3065	5' Spike Bar Assembly
3	2	3040	Spring Arm Assembly
4	1	3115	5' Crumber Assembly
5	9	3153	S-Tine Shank
6	9	3195-A	S-Tine Clamp
7	9	3154	Reversible Point
	9	3155	Optional 7" Sweep (not shown)
8	9	3196-A	1/2" x 4" NC Gr. 5 Carriage Bolt w/Nylock Nut
9	9	3156	3/8" x 2" NC Plow Bolt w/Nut
10	2	3180	Cat I Hitch Pin
11	2	3182	7/16" Lynch Pin
12	1	CP-0164	Top Link Bushing
13	1	AV-0313	3/4" x 4 1/2" NC Gr. 5 Cap Screw w/Nylock
14	2	CP-0160-A	Top Link Plate
15	6	3190	5/8" x 1 3/4" NC Gr. 5 Cap Screw w/Flat Washer & Nylock Nut
16	2	3188	1/2" x 4" x 3 1/4" Channel Bolt w/Nylock Nuts
17	2	3189	1/2" x 2" x 3 1/4" Channel Bolt w/Nylock Nuts

SC5 1/2-5 1/2' SOIL CONDITIONER ASSEMBLY			
1	1	3009	5 1/2' Frame Only
2	1	3068	5 1/2' Spike Bar Assembly
3	2	3040	Spring Arm Assembly
4	1	3118	5 1/2' Crumber Assembly
5	10	3153	S-Tine Shank
6	10	3195-A	S-Tine Clamp
7	10	3154	Reversible Point
	10	3155	Optional 7" Sweep (not shown)
8	10	3196-A	1/2" x 4" NC Gr. 5 Carriage Bolt w/Nylock Nut
9	10	3156	3/8" x 2" NC Plow Bolt w/Nut
10	2	3180	Cat I Hitch Pin
11	2	3182	7/16" Lynch Pin
12	1	CP-0164	Top Link Bushing
13	1	AV-0313	3/4" x 4 1/2" NC Gr. 5 Cap Screw w/Nylock
14	2	CP-0160-A	Top Link Plate
15	6	3190	5/8" x 1 3/4" NC Gr. 5 Cap Screw w/Flat Washer & Nylock Nut
16	2	3188	1/2" x 4" x 3 1/4" Channel Bolt w/Nylock Nuts
17	2	3189	1/2" x 2" x 3 1/4" Channel Bolt w/Nylock Nuts

SC6-6' SOIL CONDITIONER ASSEMBLY			
1	1	3006	6' Frame Only
2	1	3066	6' Spike Bar Assembly
3	2	3040	Spring Arm Assembly
4	1	3116	6' Crumber Assembly
5	11	3153	S-Tine Shank
6	11	3195-A	S-Tine Clamp
7	11	3154	Reversible Point
	11	3155	Optional 7" Sweep (not shown)
8	11	3196-A	1/2" x 4" NC Gr. 5 Carriage Bolt w/Nylock Nut
9	11	3156	3/8" x 2" NC Plow Bolt w/Nut
10	2	3180	Cat I Hitch Pin
11	2	3182	7/16" Lynch Pin
12	1	CP-0164	Top Link Bushing
13	1	AV-0313	3/4" x 4 1/2" NC Gr. 5 Cap Screw w/Nylock
14	2	CP-0160-A	Top Link Plate
15	6	3190	5/8" x 1 3/4" NC Gr. 5 Cap Screw w/Flat Washer & Nylock Nut
16	2	3188	1/2" x 4" x 3 1/4" Channel Bolt w/Nylock Nuts
17	2	3189	1/2" x 2" x 3 1/4" Channel Bolt w/Nylock Nuts

SC7-7' SOIL CONDITIONER ASSEMBLY			
1	1	3007	7' Frame Only
2	1	3067	7' Spike Bar Assembly
3	3	3040	Spring Arm Assembly
4	1	3117	7' Crumber Assembly
5	13	3153	S-Tine Shank
6	13	3195-A	S-Tine Clamp
7	13	3154	Reversible Point
	13	3155	Optional 7" Sweep (not shown)
8	13	3196-A	1/2" x 4" NC Gr. 5 Carriage Bolt w/Nylock Nut
9	13	3156	3/8" x 2" NC Plow Bolt w/Nut
10	2	3180	Cat I Hitch Pin
11	2	3182	7/16" Lynch Pin
12	1	CP-0164	Top Link Bushing
13	1	AV-0313	3/4" x 4 1/2" NC Gr. 5 Cap Screw w/Nylock
14	2	CP-0160-A	Top Link Plate
15	7	3190	5/8" x 1 3/4" NC Gr. 5 Cap Screw w/Flat Washer & Nylock Nut
16	3	3188	1/2" x 4" x 3 1/4" Channel Bolt w/Nylock Nuts
17	3	3189	1/2" x 2" x 3 1/4" Channel Bolt w/Nylock Nuts

SC8-8' SOIL CONDITIONER ASSEMBLY			
1	1	3008	8' Frame Only
2	1	3069	8' Spike Bar Assembly
3	3	3040	Spring Arm Assembly
4	1	3119	8' Crumber Assembly
5	15	3153	S-Tine Shank
6	15	3195-A	S-Tine Clamp
7	15	3154	Reversible Point
	15	3155	Optional 7" Sweep (not shown)
8	15	3196-A	1/2" x 4" NC Gr. 5 Carriage Bolt w/Nylock Nut
9	15	3156	3/8" x 2" NC Plow Bolt w/Nut
10	2	AV-0455	Cat I & II Hitch Pin
11	2	3182	7/16" Lynch Pin
12	1	CP-0164	Top Link Bushing
13	1	AV-0313	3/4" x 4 1/2" NC Gr. 5 Cap Screw w/Nylock
14	2	CP-0160-A	Top Link Plate
15	7	3190	5/8" x 1 3/4" NC Gr. 5 Cap Screw w/Flat Washer & Nylock Nut
16	3	3188	1/2" x 4" x 3 1/4" Channel Bolt w/Nylock Nuts
17	3	3189	1/2" x 2" x 3 1/4" Channel Bolt w/Nylock Nuts

SC10-10' SOIL CONDITIONER ASSEMBLY			
1	1	3010	10' Frame w/Hitch Assembly
2	2	3065	5' Spike Bar Assembly
3	4	3040	Spring Arm Assembly
4	2	3115	5' Crumber Assembly
5	19	3153	S-Tine Shank
6	19	3195-A	S-Tine Clamp
7	19	3154	Reversible Point
	19	3155	Optional 7" Sweep (not shown)
8	19	3196-A	1/2" x 4" NC Gr. 5 Carriage Bolt w/Nylock Nut
9	19	3156	3/8" x 2" NC Plow Bolt w/Nut
10	2	3181	Cat II Hitch Pin
11	2	3182	7/16" Lynch Pin
12	1	CP-0164	Top Link Bushing
13	1	AV-0313	3/4" x 4 1/2" NC Gr. 5 Cap Screw w/Nylock
14	2	CP-0160-A	Top Link Plate
15	8	3190	5/8" x 1 3/4" NC Gr. 5 Cap Screw w/Flat Washer & Nylock Nut
16	4	3188	1/2" x 4" x 3 1/4" Channel Bolt w/Nylock Nuts
17	4	3189	1/2" x 2" x 3 1/4" Channel Bolt w/Nylock Nuts

SC11-11' SOIL CONDITIONER ASSEMBLY			
1	1	3011	11' Frame w/Hitch Assembly
2	2	3068	5 1/2' Spike Bar Assembly
3	4	3040	Spring Arm Assembly
4	2	3118	5 1/2' Crumber Assembly
5	21	3153	S-Tine Shank
6	21	3195-A	S-Tine Clamp
7	21	3154	Reversible Point
	21	3155	Optional 7" Sweep (not shown)
8	21	3196-A	1/2" x 4" NC Gr. 5 Carriage Bolt w/Nylock Nut
9	21	3156	3/8" x 2" NC Plow Bolt w/Nut
10	2	3181	Cat II Hitch Pin
11	2	3182	7/16" Lynch Pin
12	1	CP-0164	Top Link Bushing
13	1	AV-0313	3/4" x 4 1/2" NC Gr. 5 Cap Screw w/Nylock
14	2	CP-0160-A	Top Link Plate
15	8	3190	5/8" x 1 3/4" NC Gr. 5 Cap Screw w/Flat Washer & Nylock Nut
16	4	3188	1/2" x 4" x 3 1/4" Channel Bolt w/Nylock Nuts
17	4	3189	1/2" x 2" x 3 1/4" Channel Bolt w/Nylock Nuts

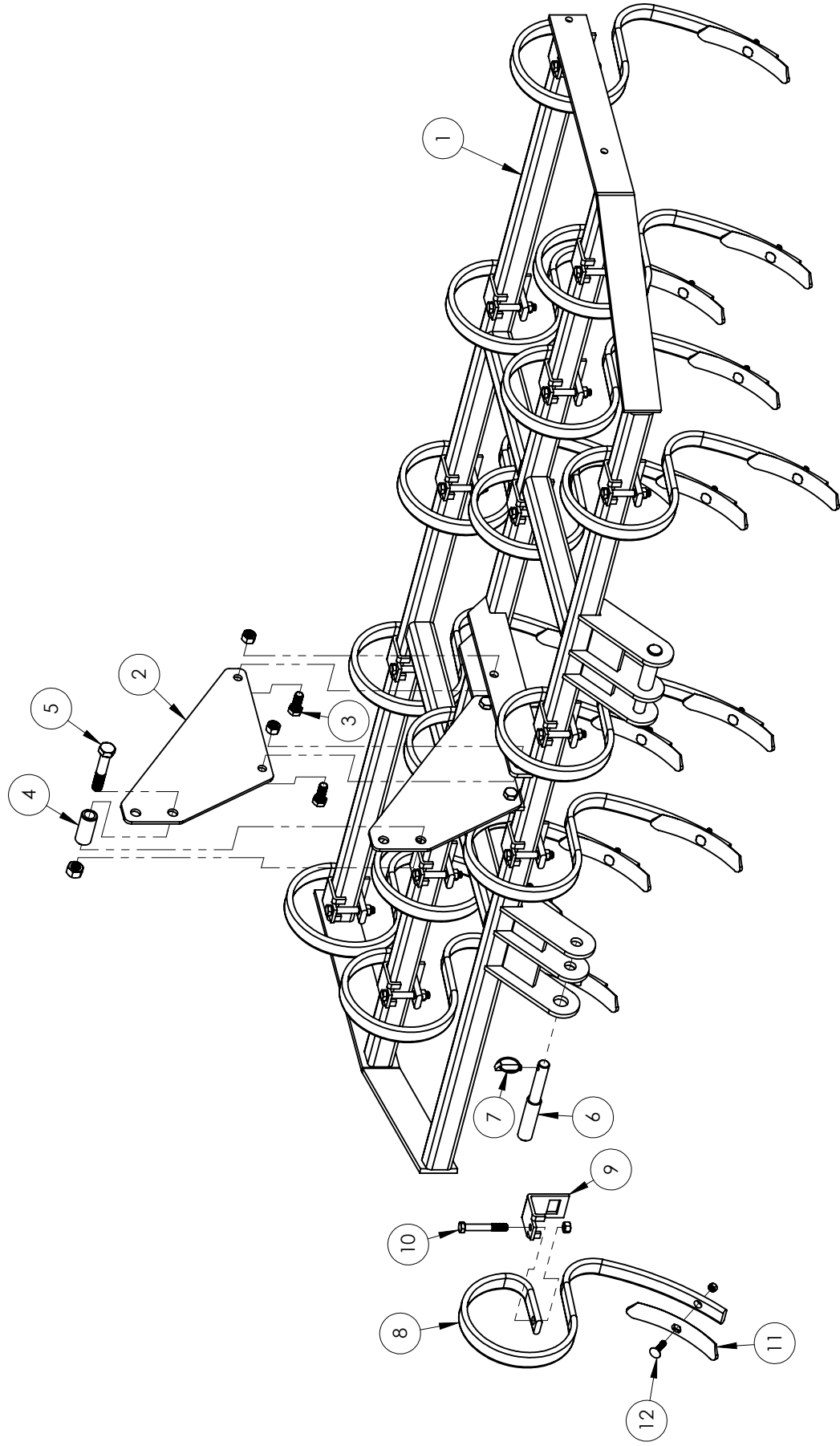
SC12-12' SOIL CONDITIONER ASSEMBLY			
1	1	3012	12' Frame w/Hitch Assembly
2	2	3066	6' Spike Bar Assembly
3	4	3040	Spring Arm Assembly
4	2	3116	6' Crumber Assembly
5	23	3153	S-Tine Shank
6	23	3195-A	S-Tine Clamp
7	23	3154	Reversible Point
	23	3155	Optional 7" Sweep (not shown)
8	23	3196-A	1/2" x 4" NC Gr. 5 Carriage Bolt w/Nylock Nut
9	23	3156	3/8" x 2" NC Plow Bolt w/Nut
10	2	3181	Cat II Hitch Pin
11	2	3182	7/16" Lynch Pin
12	1	CP-0164	Top Link Bushing
13	1	AV-0313	3/4" x 4 1/2" NC Gr. 5 Cap Screw w/Nylock
14	2	CP-0160-A	Top Link Plate
15	8	3190	5/8" x 1 3/4" NC Gr. 5 Cap Screw w/Flat Washer & Nylock Nut
16	4	3188	1/2" x 4" x 3 1/4" Channel Bolt w/Nylock Nuts
17	4	3189	1/2" x 2" x 3 1/4" Channel Bolt w/Nylock Nuts

SC13-13' SOIL CONDITIONER ASSEMBLY			
1	1	3013	13' Frame w/Hitch Assembly
2	1	3066	6' Spike Bar Assembly
	1	3067	7' Spike Bar Assembly
3	5	3040	Spring Arm Assembly
4	1	3116	6' Crumber Assembly
	1	3117	7' Crumber Assembly
5	25	3153	S-Tine Shank
6	25	3195-A	S-Tine Clamp
7	25	3154	Reversible Point
	25	3155	Optional 7" Sweep (not shown)
8	25	3196-A	1/2" x 4" NC Gr. 5 Carriage Bolt w/Nylock Nut
9	25	3156	3/8" x 2" NC Plow Bolt w/Nut
10	2	3181	Cat II Hitch Pin
11	2	3182	7/16" Lynch Pin
12	1	CP-0164	Top Link Bushing
13	1	AV-0313	3/4" x 4 1/2" NC Gr. 5 Cap Screw w/Nylock
14	2	CP-0160-A	Top Link Plate
15	9	3190	5/8" x 1 3/4" NC Gr. 5 Cap Screw w/Flat Washer & Nylock Nut
16	5	3188	1/2" x 4" x 3 1/4" Channel Bolt w/Nylock Nuts
17	5	3189	1/2" x 2" x 3 1/4" Channel Bolt w/Nylock Nuts

SC14-14' SOIL CONDITIONER ASSEMBLY			
1	1	3014	14' Frame w/Hitch Assembly
2	2	3067	7' Spike Bar Assembly
3	6	3040	Spring Arm Assembly
4	2	3117	7' Crumber Assembly
5	27	3153	S-Tine Shank
6	27	3195-A	S-Tine Clamp
7	27	3154	Reversible Point
	27	3155	Optional 7" Sweep (not shown)
8	27	3196-A	1/2" x 4" NC Gr. 5 Carriage Bolt w/Nylock Nut
9	27	3156	3/8" x 2" NC Plow Bolt w/Nut
10	2	3181	Cat II Hitch Pin
11	2	3182	7/16" Lynch Pin
12	1	CP-0164	Top Link Bushing
13	1	AV-0313	3/4" x 4 1/2" NC Gr. 5 Cap Screw w/Nylock
14	2	CP-0160-A	Top Link Plate
15	10	3190	5/8" x 1 3/4" NC Gr. 5 Cap Screw w/Flat Washer & Nylock Nut
16	6	3188	1/2" x 4" x 3 1/4" Channel Bolt w/Nylock Nuts
17	6	3189	1/2" x 2" x 3 1/4" Channel Bolt w/Nylock Nuts

SC15-15' SOIL CONDITIONER ASSEMBLY			
1	1	3015	15' Frame w/Hitch Assembly
2	3	3065	5' Spike Bar Assembly
3	6	3040	Spring Arm Assembly
4	3	3115	5' Crumber Assembly
5	29	3153	S-Tine Shank
6	29	3195-A	S-Tine Clamp
7	29	3154	Reversible Point
	29	3155	Optional 7" Sweep (not shown)
8	29	3196-A	1/2" x 4" NC Gr. 5 Carriage Bolt w/Nylock Nut
9	29	3156	3/8" x 2" NC Plow Bolt w/Nut
10	2	3181	Cat II Hitch Pin
11	2	3182	7/16" Lynch Pin
12	1	CP-0164	Top Link Bushing
13	1	AV-0313	3/4" x 4 1/2" NC Gr. 5 Cap Screw w/Nylock
14	2	CP-0160-A	Top Link Plate
15	10	3190	5/8" x 1 3/4" NC Gr. 5 Cap Screw w/Flat Washer & Nylock Nut
16	6	3188	1/2" x 4" x 3 1/4" Channel Bolt w/Nylock Nuts
17	6	3189	1/2" x 2" x 3 1/4" Channel Bolt w/Nylock Nuts

S-TINE CULTIVATOR ASSEMBLY



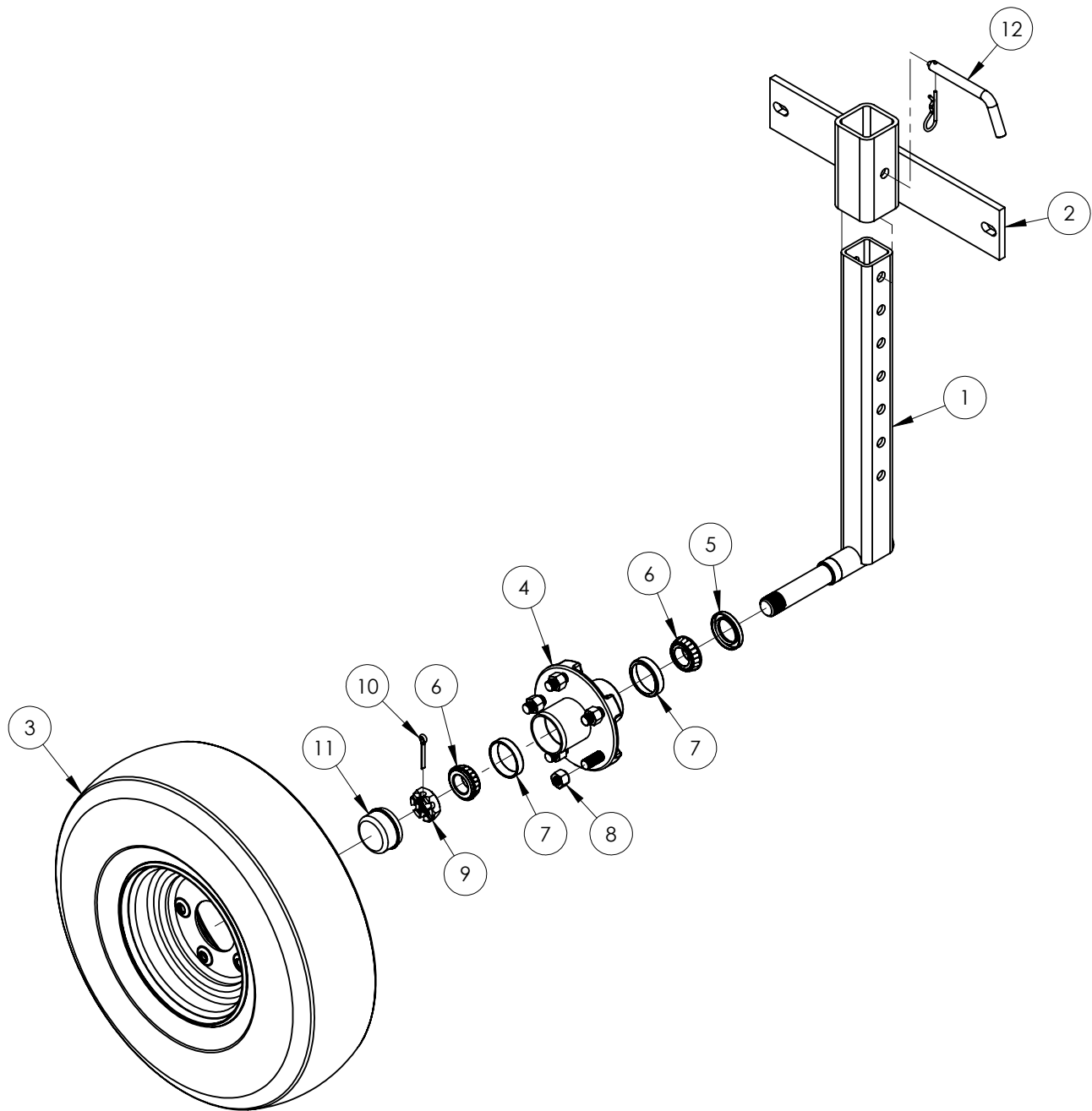
S-TINE CULTIVATOR ASSEMBLY

ITEM	QTY	PART NO	DESCRIPTION
1	1	ST-2004	4' Frame Assembly (not shown)
1	1	ST-2005	5' Frame Assembly (not shown)
1	1	ST-2006	6' Frame Assembly (not shown)
1	1	ST-2007	7' Frame Assembly (not shown)
1	1	ST-2008	8' Frame Assembly
1	1	ST-2010	10' Frame Assembly (not shown)
1	1	ST-2012	12' Frame Assembly (not shown)
2	2	CP-0160	Top Link Plate
2	2	CP-0160-3/8	Heavy Top Link Plate -- 10' & 12' Units Only (not shown)
3	4	AV-0320	5/8" X 1 1/2" NC Gr. 5 Cap Screw w/Nylock Nut
4	1	AV-0164	Top Link Bushing
5	1	AV-0313	3/4" X 4 1/2" NC Gr. 5 Cap Screw w/Nylock Nut
6	2	AV-0455	Cat I & II Clevis Step Pin
6	2	AV-0450	P-7234 Cat I Clevis Pin -- 4'-7' Units Only (not shown)
7	2	AV-0460	P-791 Lynch Pin
8	*	AV-0415	S-Tine, 32 x 10 x 560
9	*	AV-0420	S-Tine Clamp
10	*	AV-0312	1/2" X 3-1/2" USS Gr. 5 Cap Screw With Nylock Nut
11	*	AV-0405	Reversible Point, 40 X 6 X 200
12	*	AV-0305	3/8" X 1-1/2" USS Elliptical Head Plow Bolt With Hex Nut

* These quantities vary (depending on the size of the unit purchased) as follows.

QTY	UNIT	DESCRIPTION
7	ST4	4' S-Tine Cultivator
9	ST5	5' S-Tine Cultivator
11	ST6	6' S-Tine Cultivator
13	ST7	7' S-Tine Cultivator
15	ST8	8' S-Tine Cultivator
19	ST10	10' S-Tine Cultivator
23	ST12	12' S-Tine Cultivator

200-GW S-TINE GAUGE WHEEL ASSEMBLY



200-GW S-TINE GAUGE WHEEL ASSEMBLY

ITEM	QTY	PART NO	DESCRIPTION
1	2	200-GW-1	Gauge Wheel Spindle Arm Weldment
2	2	200-GW-2	Gauge Wheel Mounting Bracket
	4	200-GW-3	1/2" x 1-1/2" Gr. 5 Cap Screw w/Nylock Nut & Flat Washer (not shown)
3	2	480B-08545	Tire and Wheel
4	2	3161	545 Hub w/Bearing Races
5	2	3163	Hub Seal
6	4	3164	Bearing L44643
7	4	3165	Race L44610
8	10	3170	1/2" Lug Nut
9	2	3167	1" Slotted Nut
10	2	3168	Cotter Pin
11	2	3169	Grease Cap
12	2	AVGW-0105	1/2" Pin w/Keeper