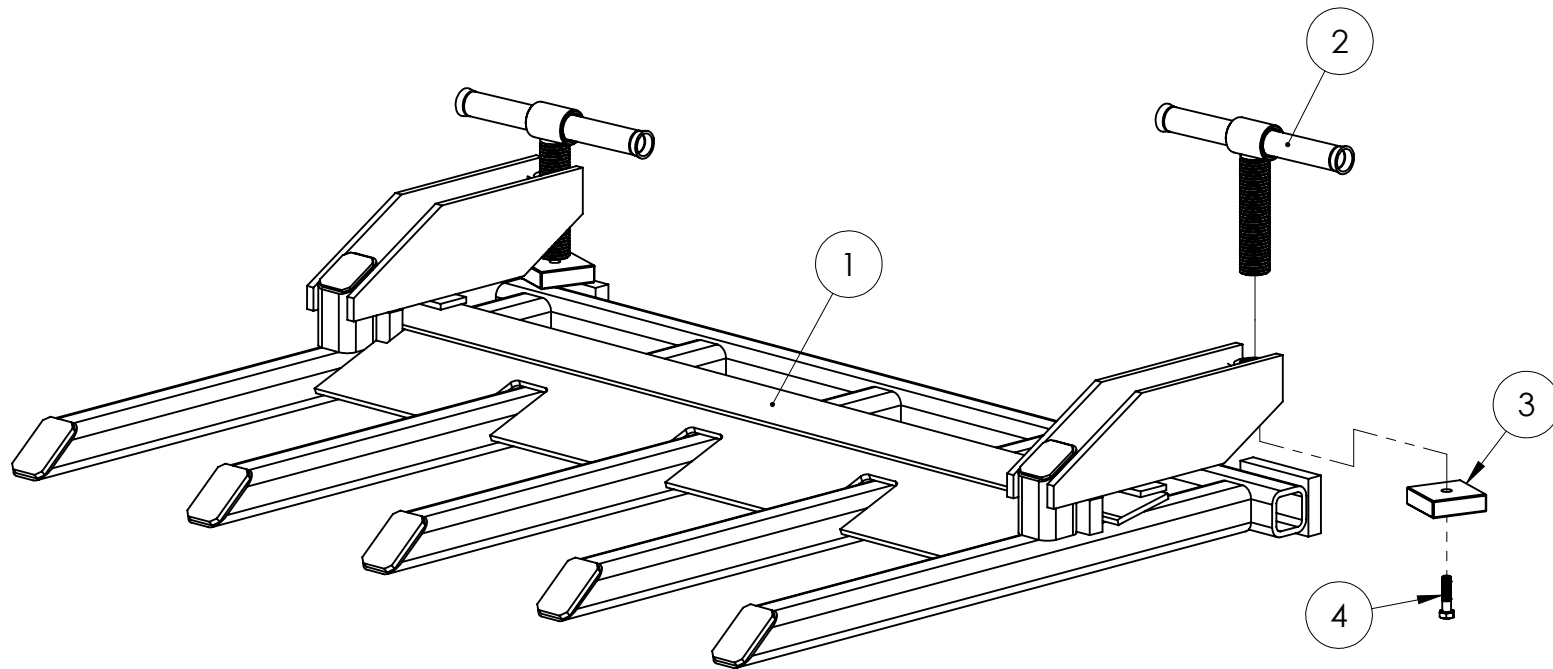


# TF-TRASH FORK ASSEMBLY



## TF-TRASH FORK ASSEMBLY

ITEM	QTY	PART NO	DESCRIPTION
1	1	TF48	Trash Fork 46" Width
	1	TF54	Trash Fork 52" Width (not shown)
	1	TF60	Trash Fork 58" Width (not shown)
	1	TF66	Trash Fork 64" Width (not shown)
	1	TF72	Trash Fork 70" Width (not shown)
2	2	BF-1000-02	Clamp Handle (threaded)
3	2	BF-1000-03	Clamp Pad
4	2	BF-4000-04	3/8" x 1-1/2" NC Gr. 8 Cap Screw
	2	CF-1000-09	Complete Clamp Handle Assy. - Includes TF-0100,0101 & 0102