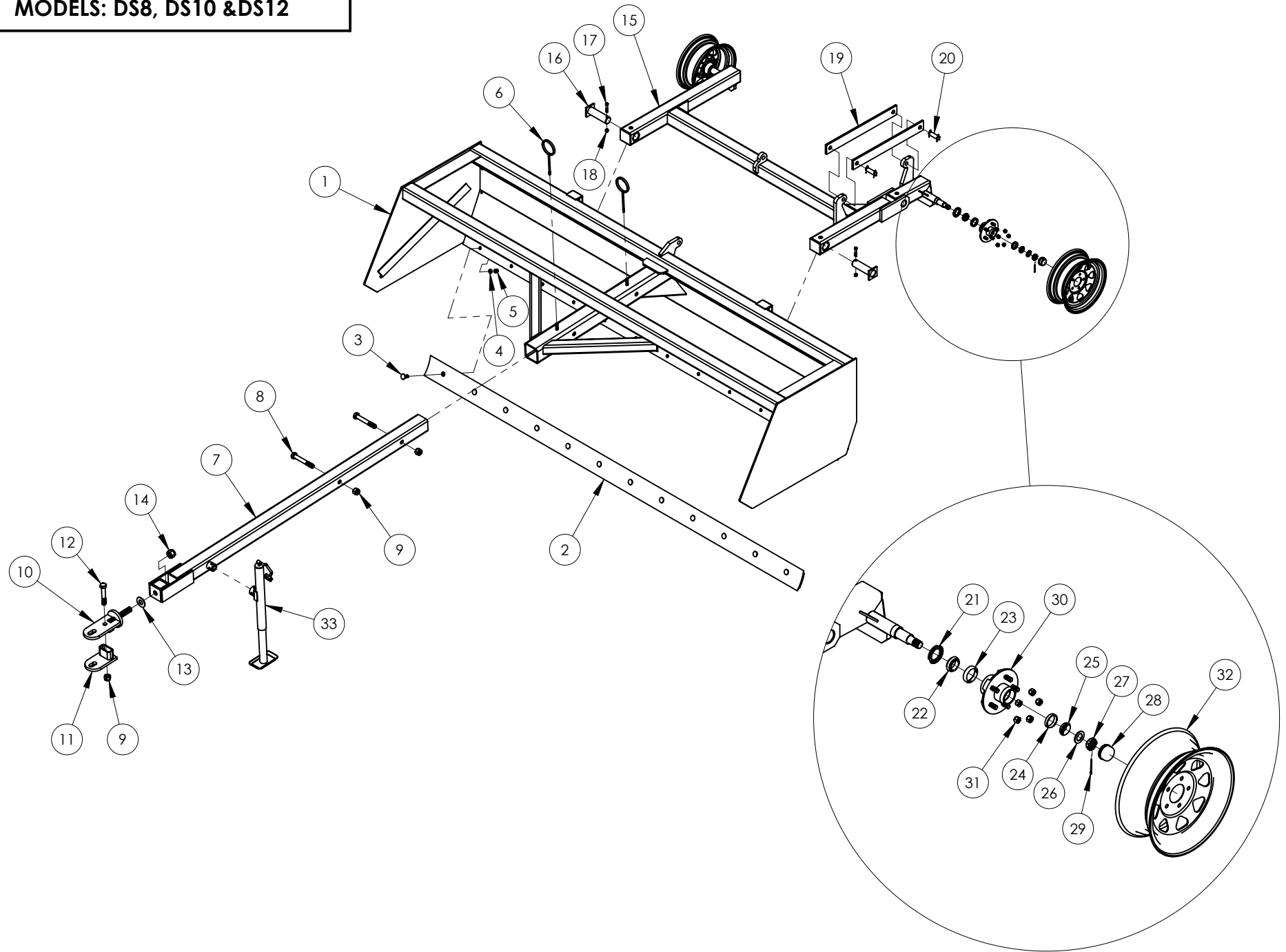


DRAG SCRAPER ASSEMBLY

MODELS: DS8, DS10 & DS12



DRAG SCRAPER ASSEMBLY

MODELS: DS8, DS10, DS12

ITEM	QTY	PART NO	DESCRIPTION
1	1	DS-2200-12	12' Scraper Box Weldment (DS12)
REF	1	DS-2200-10	10' Scraper Box Weldment (DS10) (not shown)
REF	1	DS-2200-8	8' Scraper Box Weldment (DS8) (not shown)
2	1	AV-212	12' Cutting Edge (DS12)
REF	1	AV-210	10' Cutting Edge (DS10) (not shown)
REF	1	AV-208	8' Cutting Edge (DS8) (not shown)
3	12,10,8	014-302-1	5/8" x 2" NC Plow Bolt
4	12,10,8	072-013-1	5/8" Lock Washer
5	12,10,8	056-107-1	5/8" NC Hex Nut
6	2	DS-107	Hose Guide
7	1	DS-2220	Tongue Weldment
8	2	007-417-1	1" x 7" NC Gr. 5 Cap Screw
9	3	064-016-1	1" NC Nylock Nut
10	1	DS-2225	Clevis Swivel Weldment
11	1	DS-2230	Clevis Bracket Weldment
12	1	007-415-1	1" x 6" NC Gr. 5 Cap Screw
13	1	068-013-1	1-1/4" USS Flat Washer
14	1	064-018-1	1-1/4" NC Nylock Nut
15	1	DS-2215	10' & 12' Landing Gear Weldment (DS10 & DS12)
REF	1	DS-2210	8' Landing Gear Weldment (DS8)
16	2	DS-2226	Landing Gear Pin Weldment
17	2	006-109-1	7/16" x 2-1/2" NC Gr. 5 Cap Screw
18	2	064-010-1	7/16" NC Nylock Nut
19	2	DS-126	Link Bar
20	2	HR-0317	Link Bar Pin
21	2	CH-0041	Hub Seal (SL173)
22	2	CH-0029	Inner Bearing (L68149)
23	2	CH-0050	Inner Race (L68111)
24	2	CH-0051	Outer Race (L64610)
25	2	CH-0030	Outer Bearing (L44649)
26	2	CH-0031	Spindle Washer
27	2	CH-0032	Spindle Nut
28	2	CH-0034	Cap
29	2	CH-0033	Cotter Pin
30	2	CH-0041	Hub Seal (SL173)
31	10	TR-896	Lug Nut, 1/2" NF
32	2	156545WS	Wheel, 15" x 6"
33	1	DS-2260	5000 lb. Top Wind Jack
OPT		LW-0703	Wheel & Tire, LT205/75-15 (Option DS-T) (not shown)
OPT		TR-857	3" x 8" Hydraulic Cylinder (Option DS38) (not shown)
OPT DS-H Hose Kit (parts included are listed below)			
	1	DS-H-1	3/8" Hydraulic Hose -- 14' Length
	1	DS-H-2	3/8" Hydraulic Hose -- 15' Length
	1	DS-H-3	3/8" Hydraulic Hose -- 18' Length
	1	DS-H-4	3/8" Hydraulic Hose -- 19' Length
	4	DS-H-5	1AA8MP6 Adapter
	4	DS-H-6	1AA6FJ6 Adapter
	2	DS-H-7	1AA8FJ8 Adapter
	4	HR-0276	1/2" Male Tip