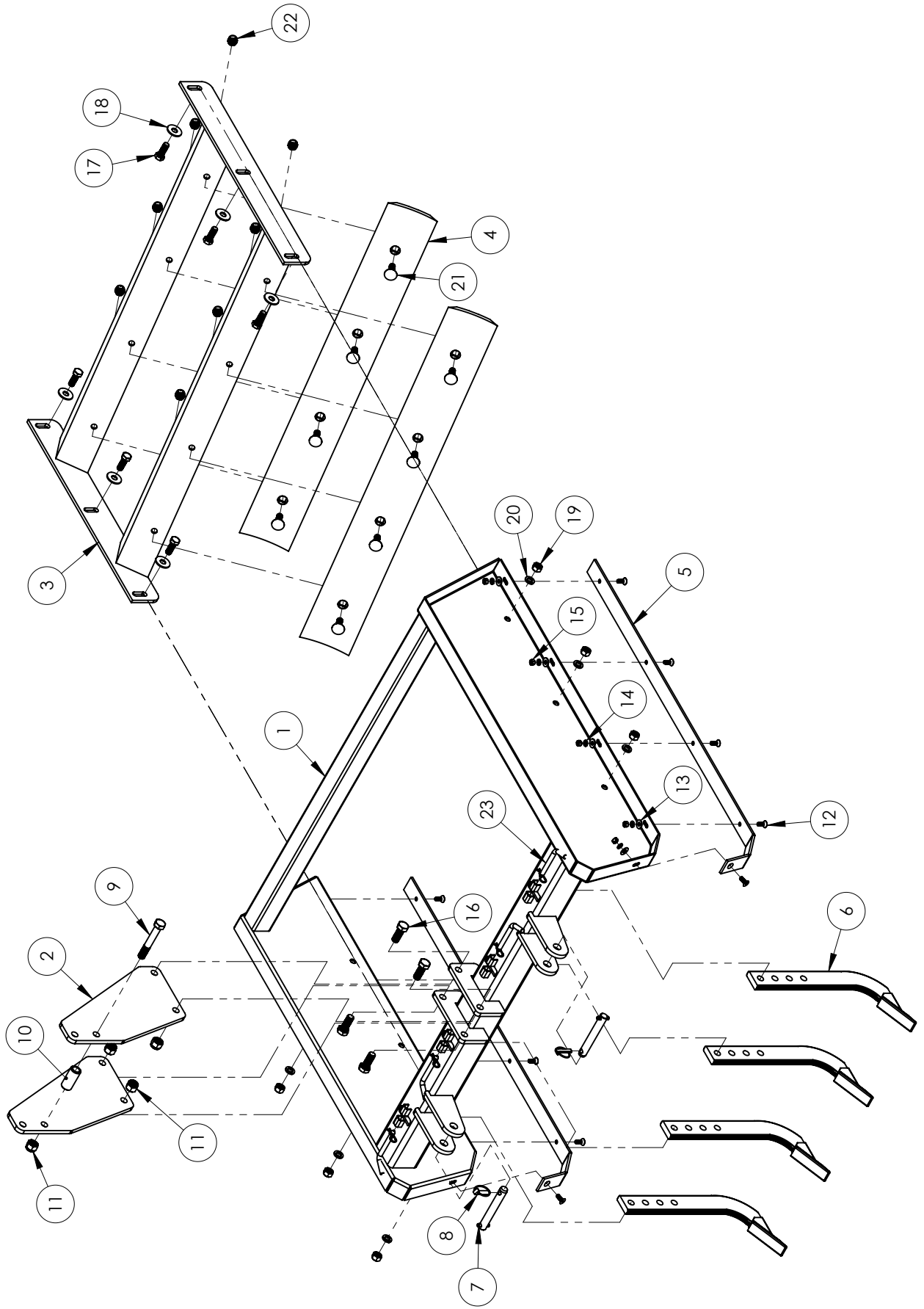


GS-GRADING SCRAPER ASSEMBLY



GS-GRADING SCRAPER ASSEMBLY

ITEM	QTY	PART NO	DESCRIPTION
1	1	GS-2210	4' Frame Weldment
	1	GS-2120	5' Frame Weldment (not shown)
	1	GS-2130	6' Frame Weldment (not shown)
2	2	GS-0108	Top Link Plate
3	1	GS-2115	4' Scraper Weldment
	1	GS-2125	5' Scraper Weldment (not shown)
	1	GS-2135	6' Scraper Weldment (not shown)
4	2	AV-2114	4' Cutting Edge
	2	AV-2115	5' Cutting Edge (not shown)
	2	AV-2116	6' Cutting Edge (not shown)
5	2	GS-0107	Skid Plate
6	4,4,6	SC-C	Scarifier Shank (49684)
7	2	AV-0450	P-7234 Cat I Clevis Pin
8	2	AV-0460	P-791 Lynch Pin
9	1	007-213-1	3/4" x 5" NC Gr. 5 Cap Screw
10	1	CP-0164	Top Link Bushing
11	5	064-014-1	3/4" NC Nylock Nut
12	10	024-704-1	3/8" x 1" NC Socket Head Cap Screw
13	10	068-004-1	3/8" USS Flat Washer
14	10	072-009-1	3/8" Lock Washer
15	10	056-103-1	3/8" NC Hex Nut
16	4	007-203-1	3/4" x 2" NC Gr. 5 Cap Screw
17	6	007-102-1	5/8" x 1 3/4" NC Gr. 5 Cap Screw
18	6	068-008-1	5/8" USS Flat Washer
19	6	056-107-1	5/8" NC Hex Nut
20	6	072-013-1	5/8" Lock Washer
21	8,10,12	014-302-1	5/8" x 2" NC Plow Bolt
22	8,10,12	064-013-1	5/8" NC Nylock Nut
23	4,4,6	P71111	1/2" Pin w/Keeper