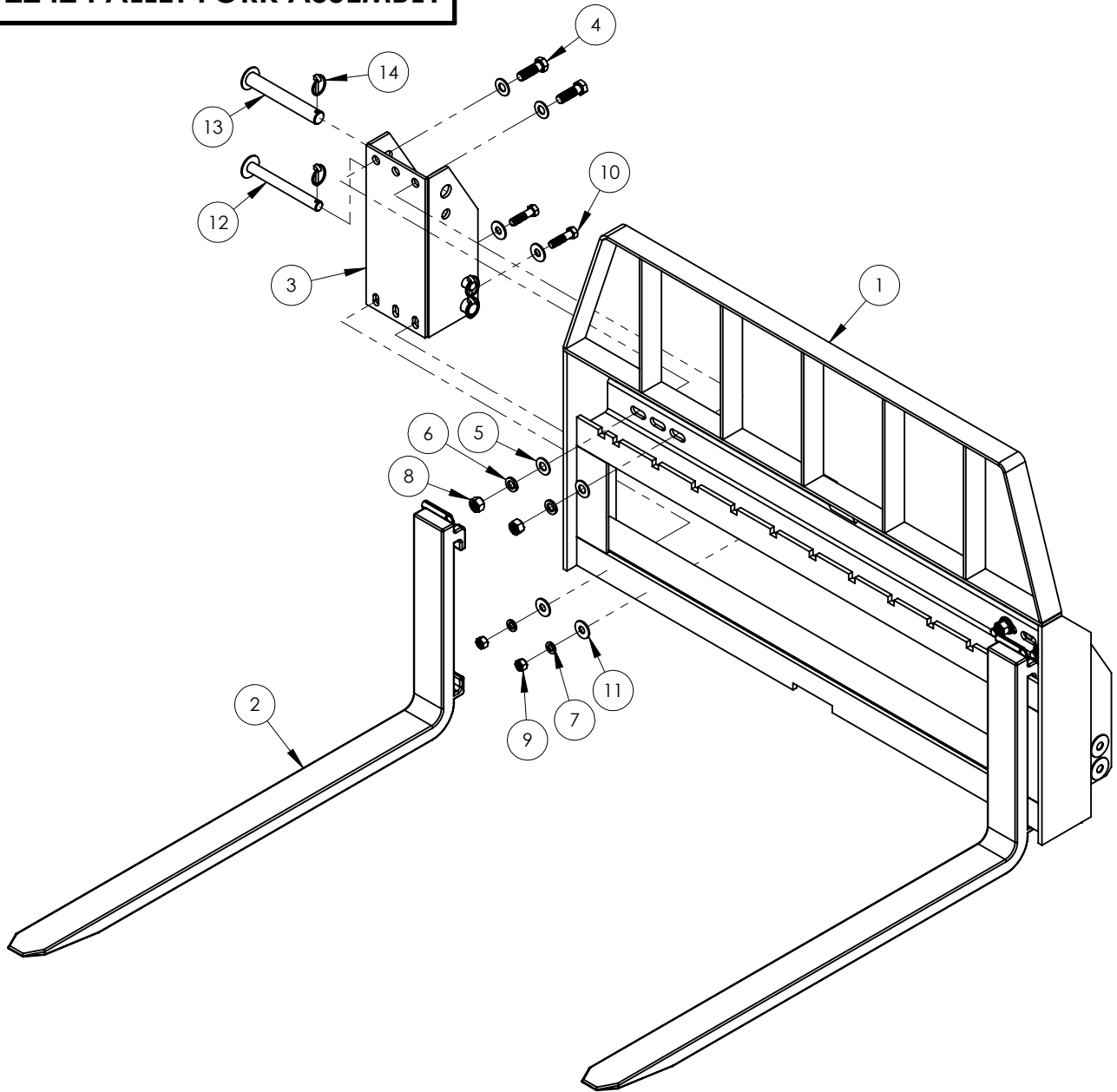
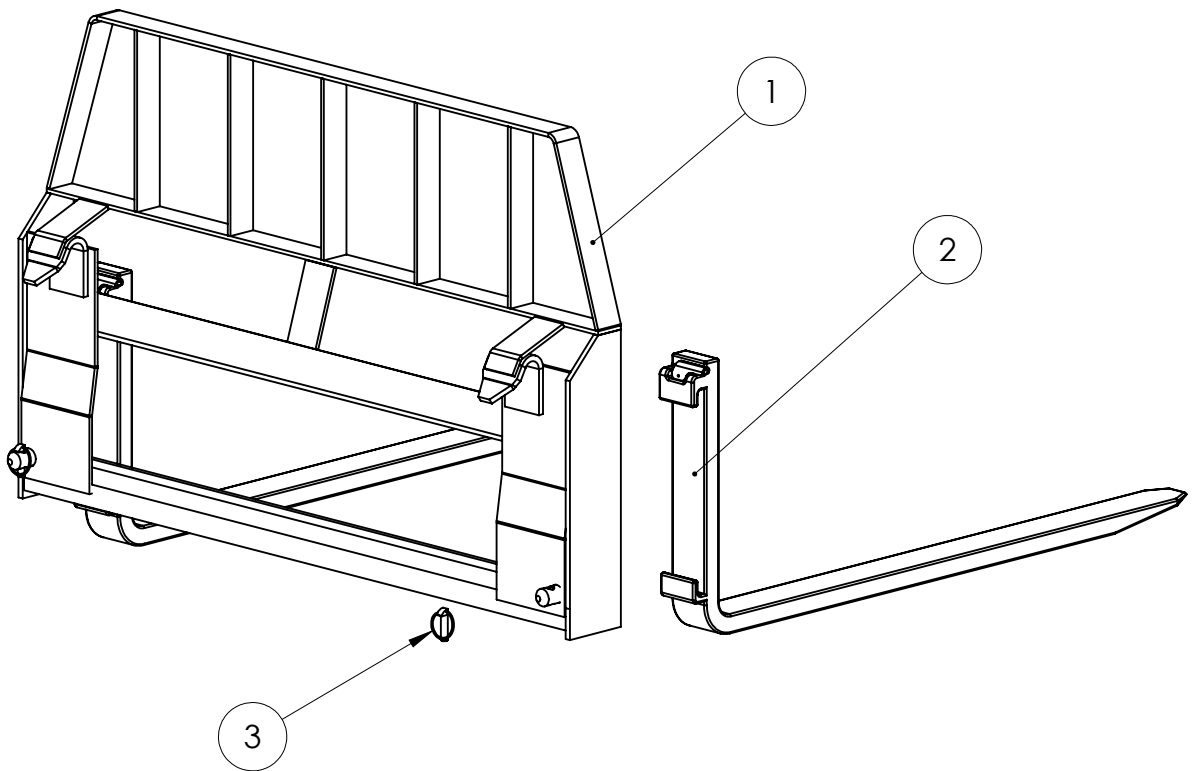


ULF-2242 PALLET FORK ASSEMBLY



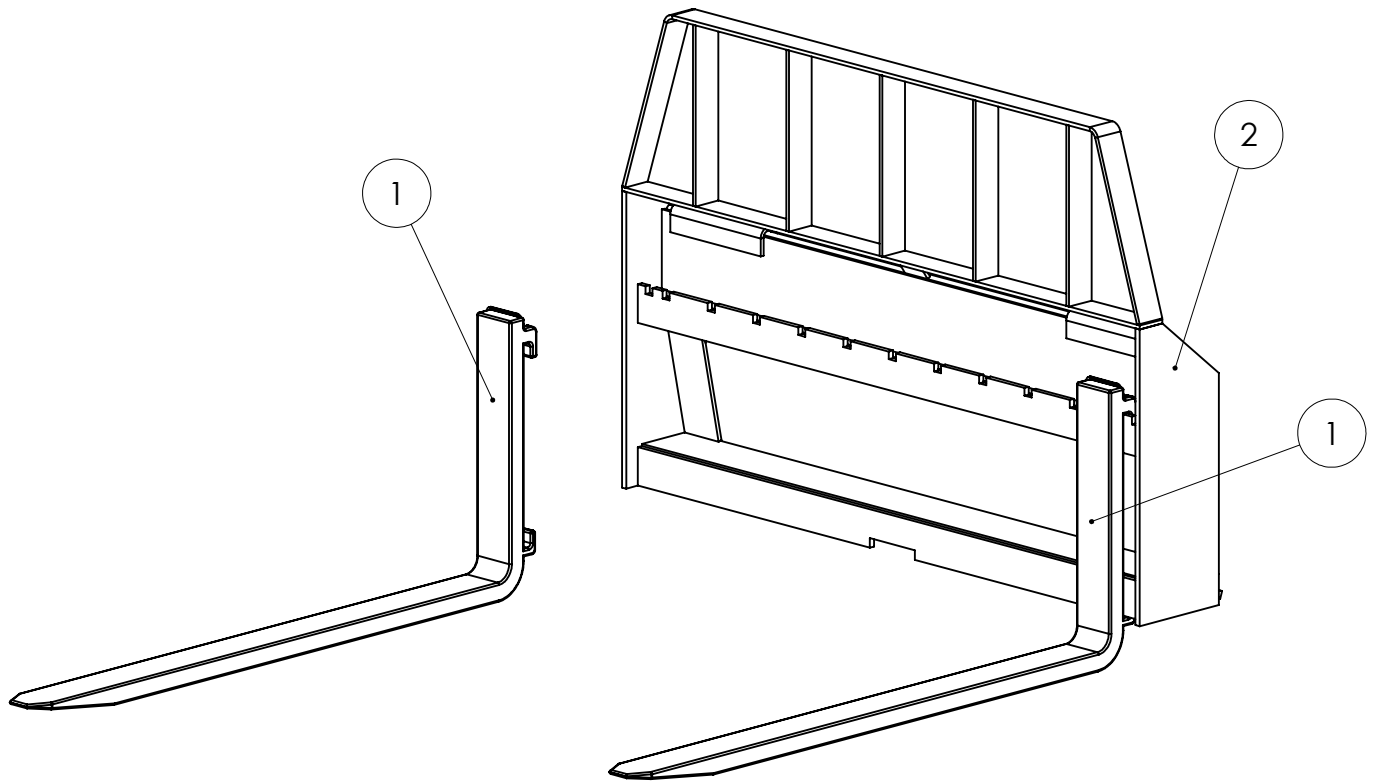
ITEM	QTY	PART NO	DESCRIPTION
1	1	ULF-2250	Frame Weldment
2	2	1-125342ST	1.25" X 3" X 42" ITA Class 1 Pallet Fork
3	2	ULF-2250-20	Mounting Bracket for ULF-2242
4	4	G-635-2-NCCS8	5/8" x 2" Gr. 8 NC Cap Screw
5	8	G-625-SAEFW	Flat Washer, 5/8" SAE
6	4	G-625-LW	Lock Washer, 5/8"
7	4	G-5-LW	Lock Washer, 1/2"
8	4	G-625-NCHN	Hex Nut, 5/8"-11
9	4	G-5-NCHN	Hex Nut, 1/2"-13
10	4	G-5-2-NCCS	1/2" x 2" Gr. 5 NC Cap Screw
11	8	G-5-USSF	Flat Washer, 1/2" USS
12	4	FLA-1204	Small Mount Pin for ULF-2242 Pallet Fork
13	4	FLA-2006	Large Mount Pin for ULF-2242 Pallet Fork
14	8	P7919	Lynch Pin - 3/16"

JLF-2242 PALLET FORK ASSEMBLY



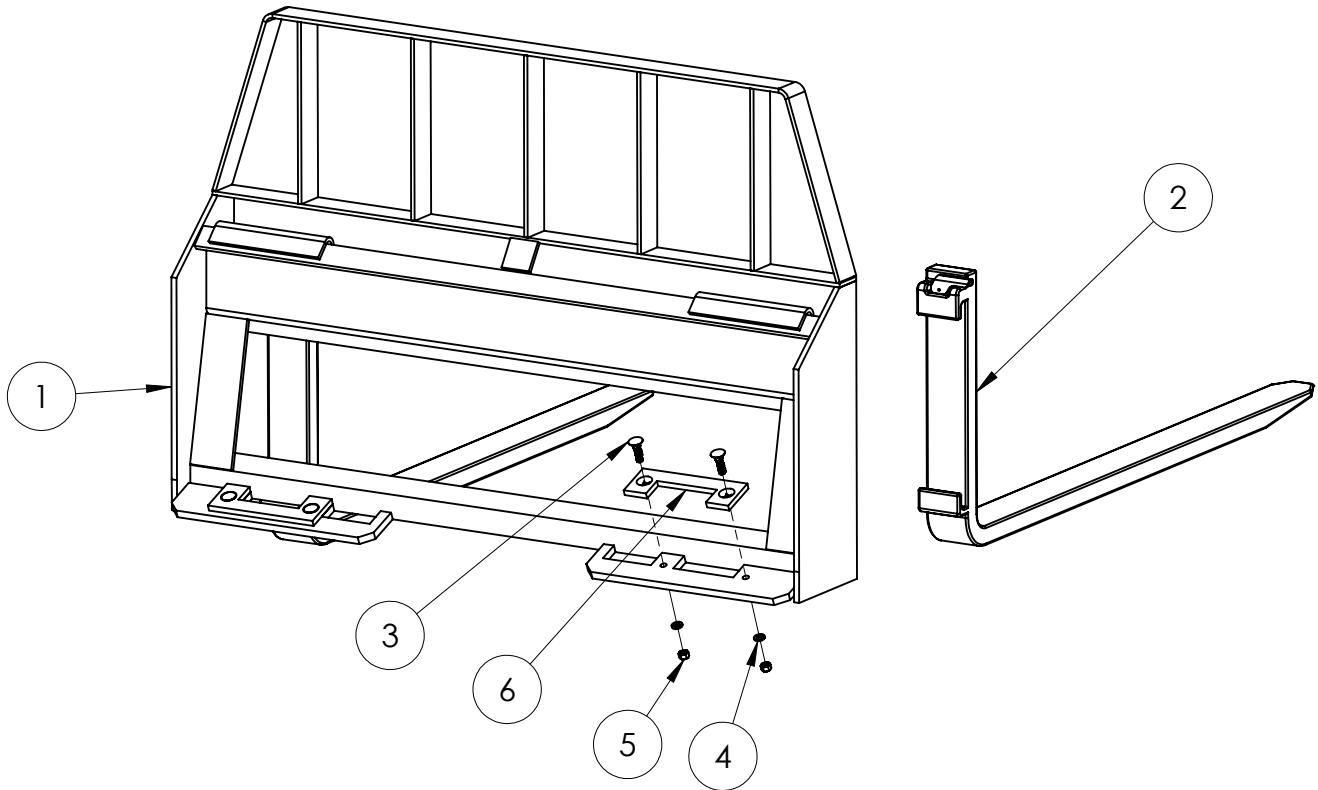
ITEM	QTY	PART NUMBER	DESCRIPTION
1	1	JLF-2250	JLF Frame Weldment
2	2	1-125342ST	ITA CL 2 STD 42" FORK
3	2	P791	Lynch Pin - 7/16"

SSF-2242 PALLET FORK ASSEMBLY



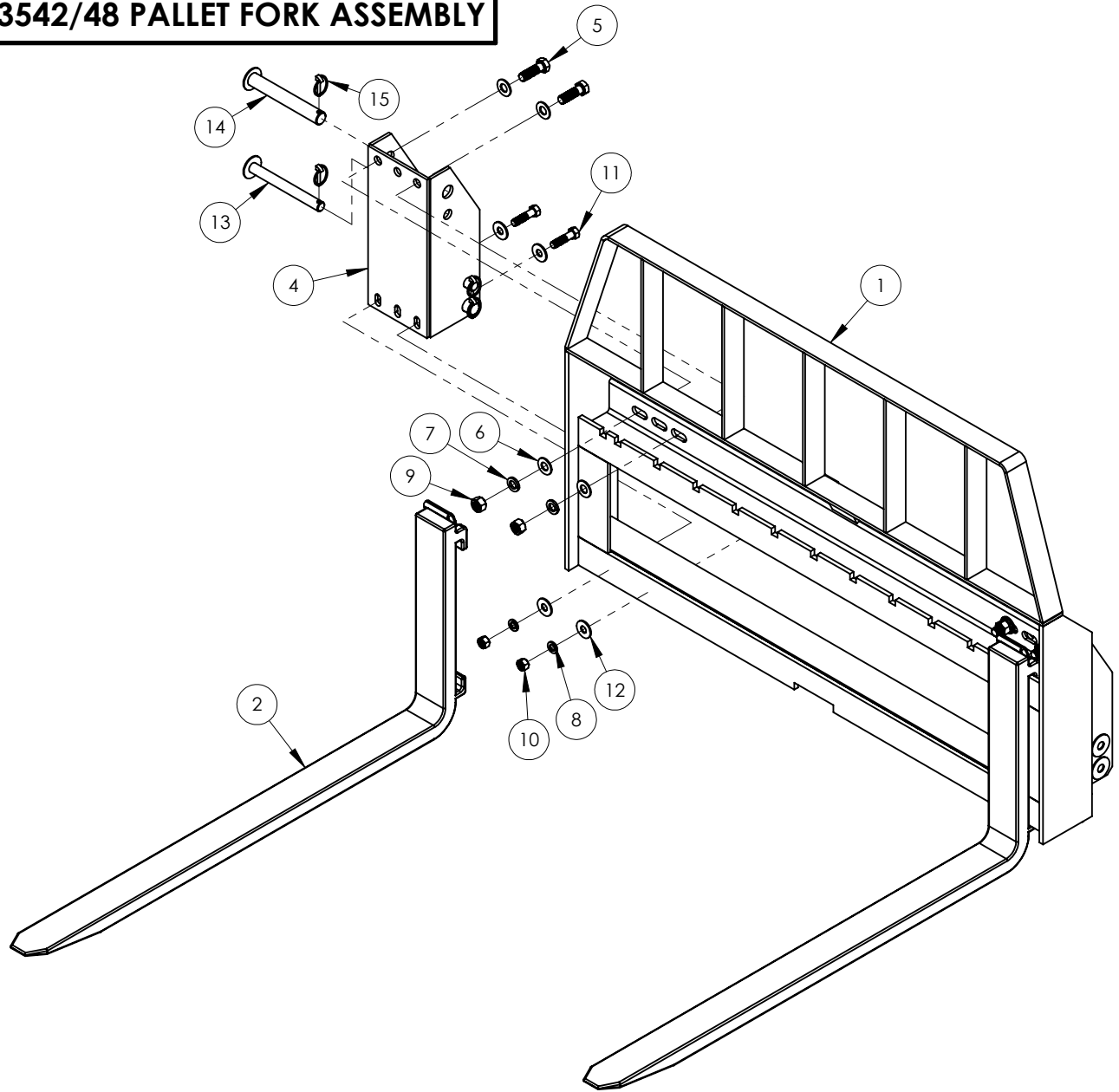
ITEM	QTY.	PART NUMBER	DESCRIPTION
1	2	1-125342ST	ITA CL 2 STD 42" FORK
2	1	SSF-2250	For SSF Loader Frame

KLF-2242 PALLET FORK ASSEMBLY



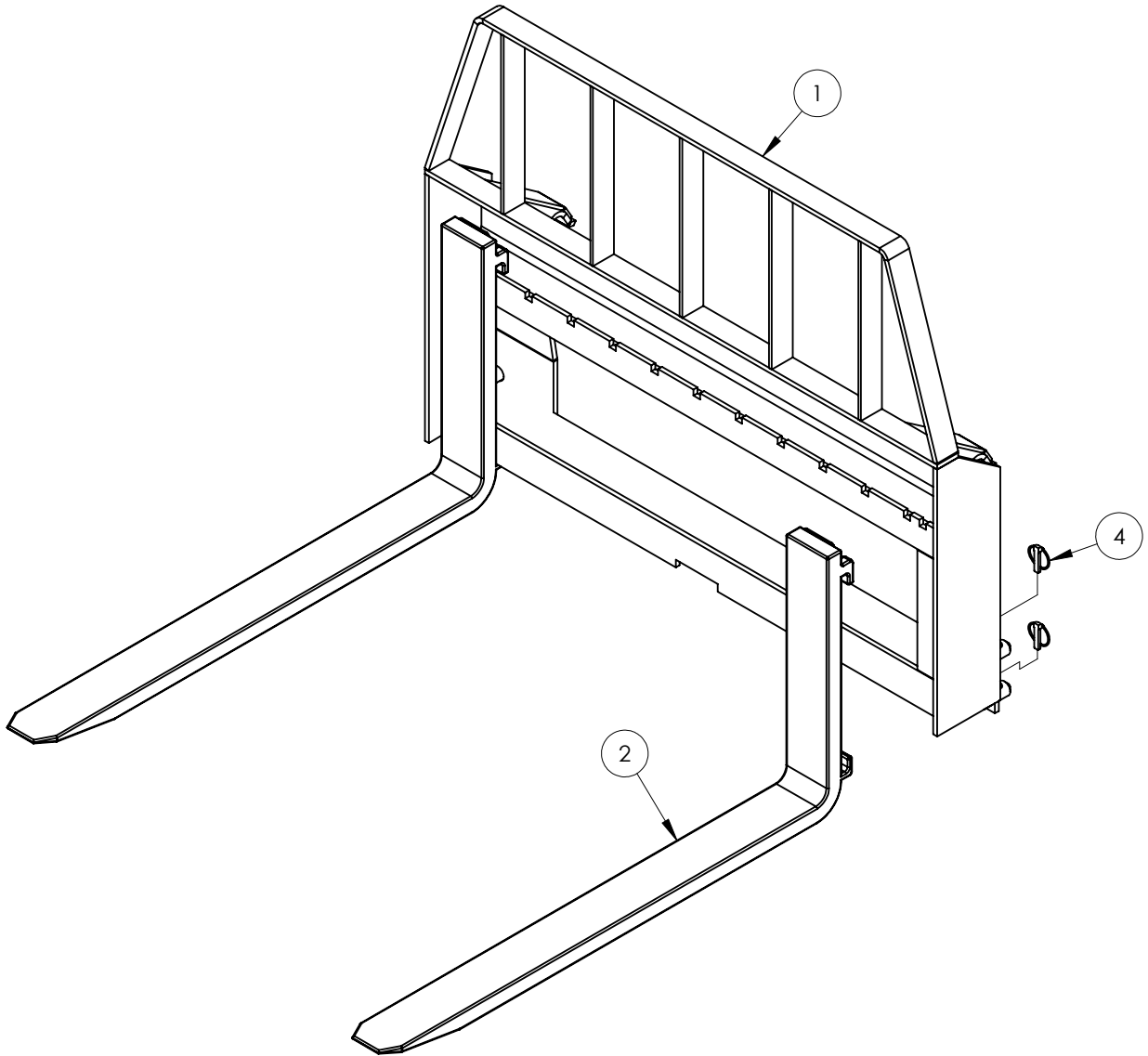
ITEM	QTY	PART NUMBER	DESCRIPTION
1	1	KLF-2250	Frame Weldment
2	2	1-125342ST	1.25" X 3" X 42" ITA Class 1 Pallet Fork
3	4	G-375-1.5-CSSNB	Countersunk Sq Neck Bolt 3/8" X 1 1/2"
4	4	G-375-LW	Lock Washer 3/8"
5	4	G-375-NCHN	3/8" NC Hex Nut
6	2	KLF-2250-25	Latch Plate Spacer

ULF-3542/48 PALLET FORK ASSEMBLY



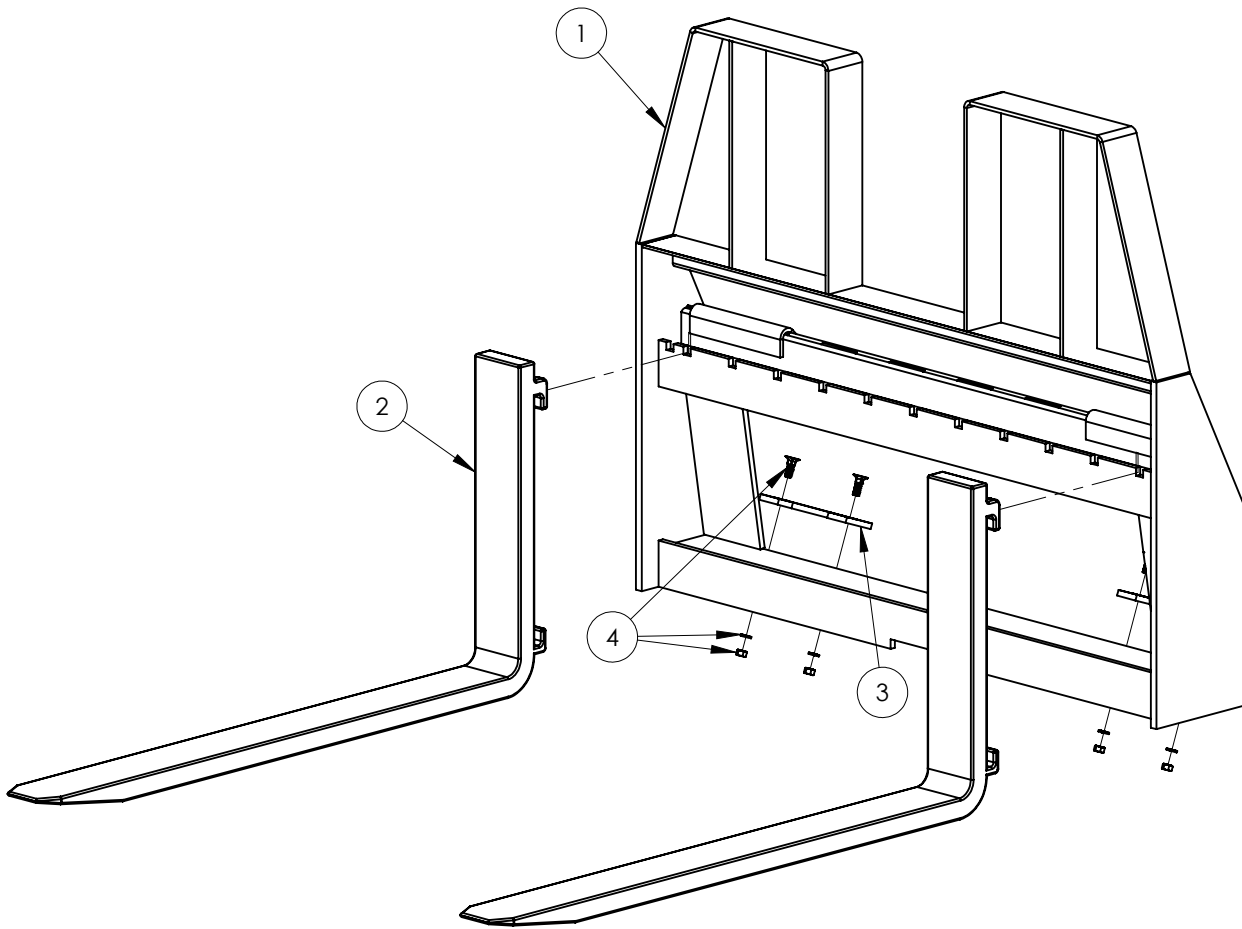
ITEM	QTY	PART NO	DESCRIPTION
1	1	ULF-3500	Frame Weldment
2	2	41887/1065	ITA CL 2 STD 42" FORK
REF	2	41887/1020	ITA CL 2 STD 48" FORK (not shown)
4	2	ULF-3505	Mounting Bracket for ULF-2242
5	4	G-635-2-NCCS8	5/8" x 2" Gr. 8 NC Cap Screw
6	8	G-625-SAEFW	Flat Washer, 5/8" SAE
7	4	G-625-LW	Lock Washer, 5/8"
8	4	G-5-LW	Lock Washer, 1/2"
9	4	G-625-NCHN	Hex Nut, 5/8"-11
10	4	G-5-NCHN	Hex Nut, 1/2"-13
11	4	G-5-2-NCCS	1/2" x 2" Gr. 5 NC Cap Screw
12	8	G-5-USSF	Flat Washer, 1/2" USS
13	4	FLA-2006	1" x 7" Pin
14	4	FLA-2007	1 1/8" x 7" Pin
15	8	P7919	Lynch Pin - 3/16"

JLF-3542/48 PALLET FORK ASSEMBLY



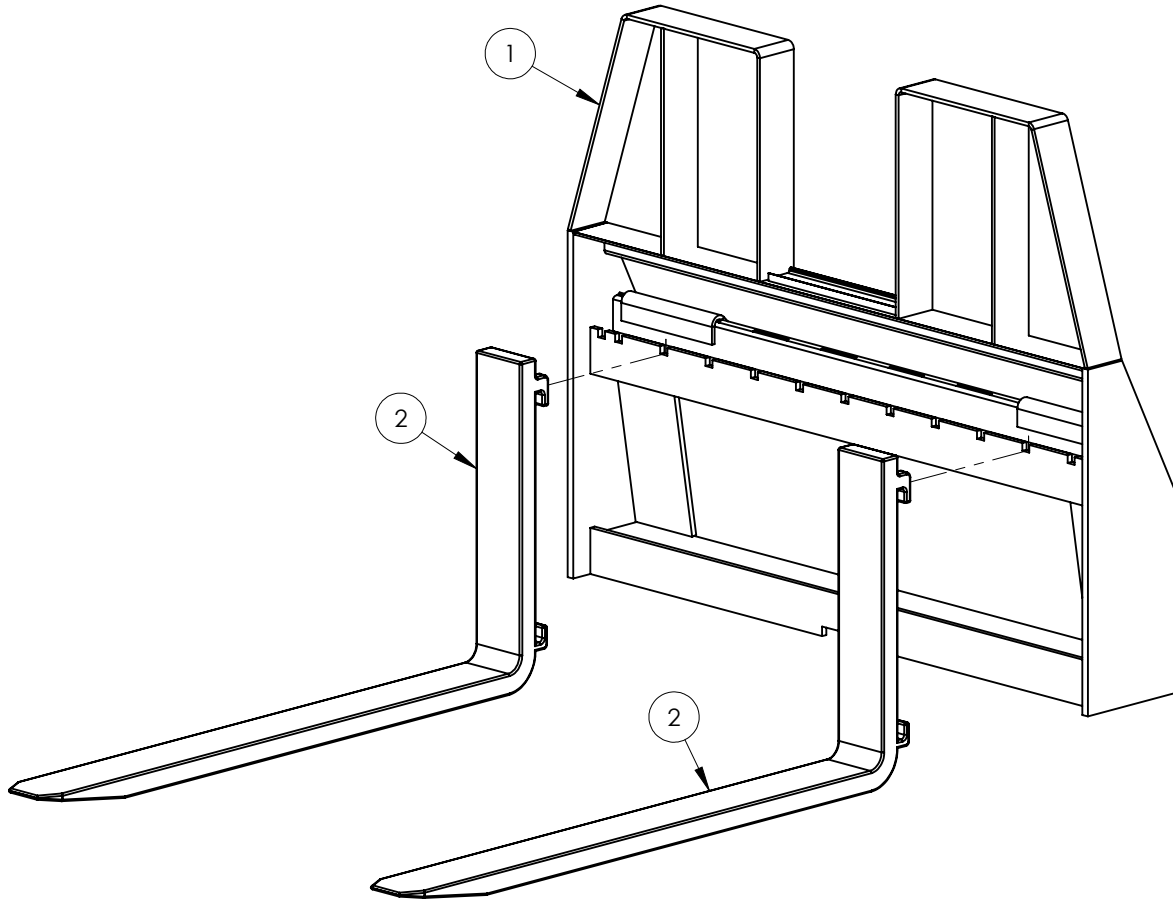
ITEM	QTY	PART NO	DESCRIPTION
1	1	JLF-3500	Frame for JLF-3500
2	2	41887/1065	ITA CL 2 STD 42" Fork
REF	2	41887/1020	ITA CL 2 STD 48" Fork (not shown)
4	4	P791	Lynch Pin - 7/16"

KLF-3542/48 PALLET FORK ASSEMBLY



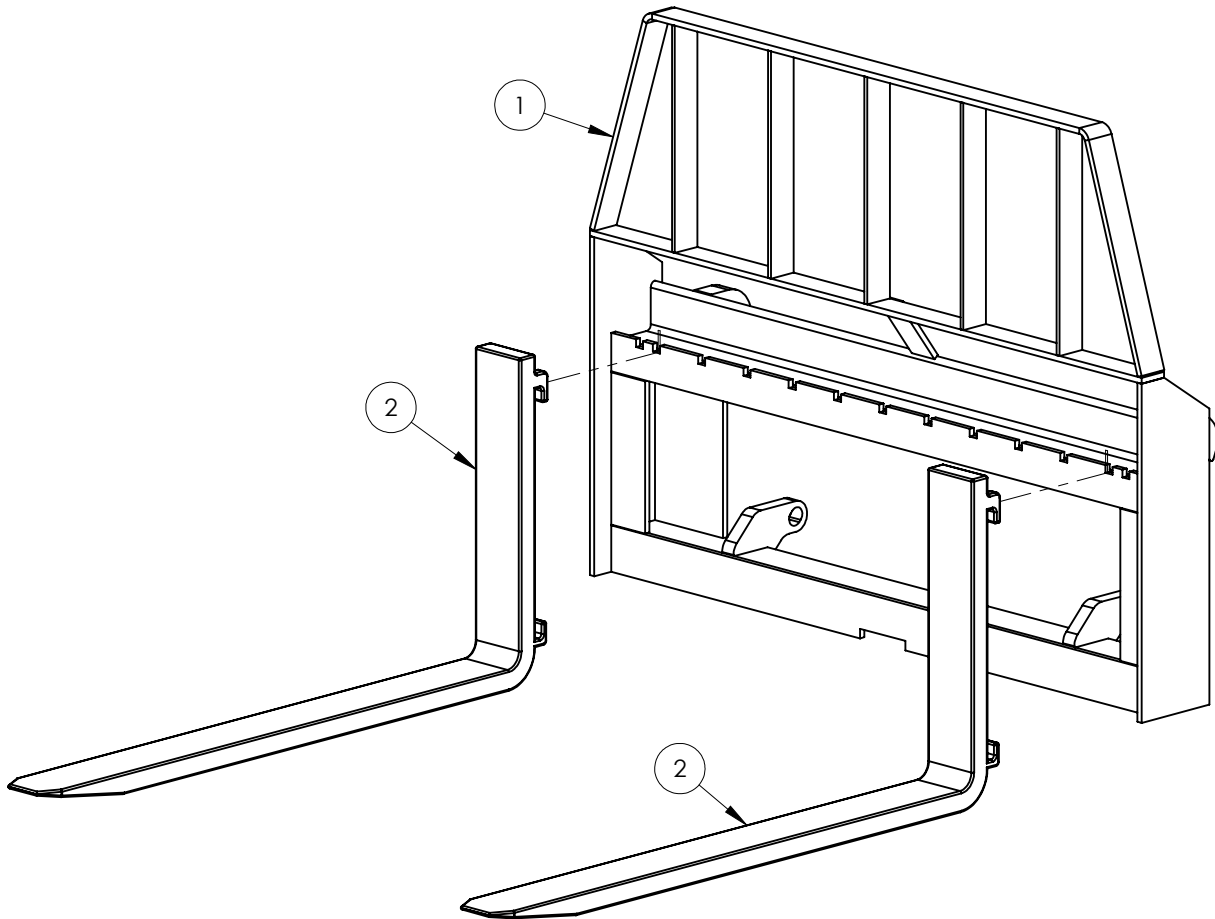
ITEM	QTY	PART NO	DESCRIPTION
1	1	KLF-3500	Frame Weldment
2	2	4188/1065	ITA CL 2 STK 42" FORK
2	2	41887/1020	ITA CL 2 STD 48" FORK (not shown)
3	2	KLF-3500-25	Spacer Plate
4	4	KLF-3500-30	3/8" x 1 1/2" NC Plow Bolt w/Hex Nut & Lock Washer
	1	KLF-3500 DEC	KLF-3500 Model Decal (not shown)
	1	CAUT-002	Caution Decal (not shown)
	1	DANG-001	Danger Decal (not shown)

SSLF-3542/48 PALLET FORK ASSEMBLY



ITEM	QTY	PART NO	DESCRIPTION
1	1	SSLF-3500	FRAME WELDMENT
2	2	41887/1065	ITA CL 2 STK 42" FORK
2	2	41887/1020	ITA CL 2 STD 48" FORK (not shown)
	1	SSLF-3500 DEC	SSLF-3500 Model Decal (not shown)
	1	CAUT-002	Caution Decal (not shown)
	1	DANG-001	Danger Decal (not shown)

GLF-3542/48 PALLET FORK ASSEMBLY



ITEM	QTY	PART NO	DESCRIPTION
1	1	GLF-3500	Frame Weldment
2	2	41887/1065	ITA CL 2 STK 42" FORK
2	2	41887/1020	ITA CL 2 STD 48" FORK (not shown)
	1	GLF-3500 DEC	GLF-3500 Model Decal (not shown)
	1	CAUT-002	Caution Decal (not shown)
	1	DANG-001	Danger Decal (not shown)