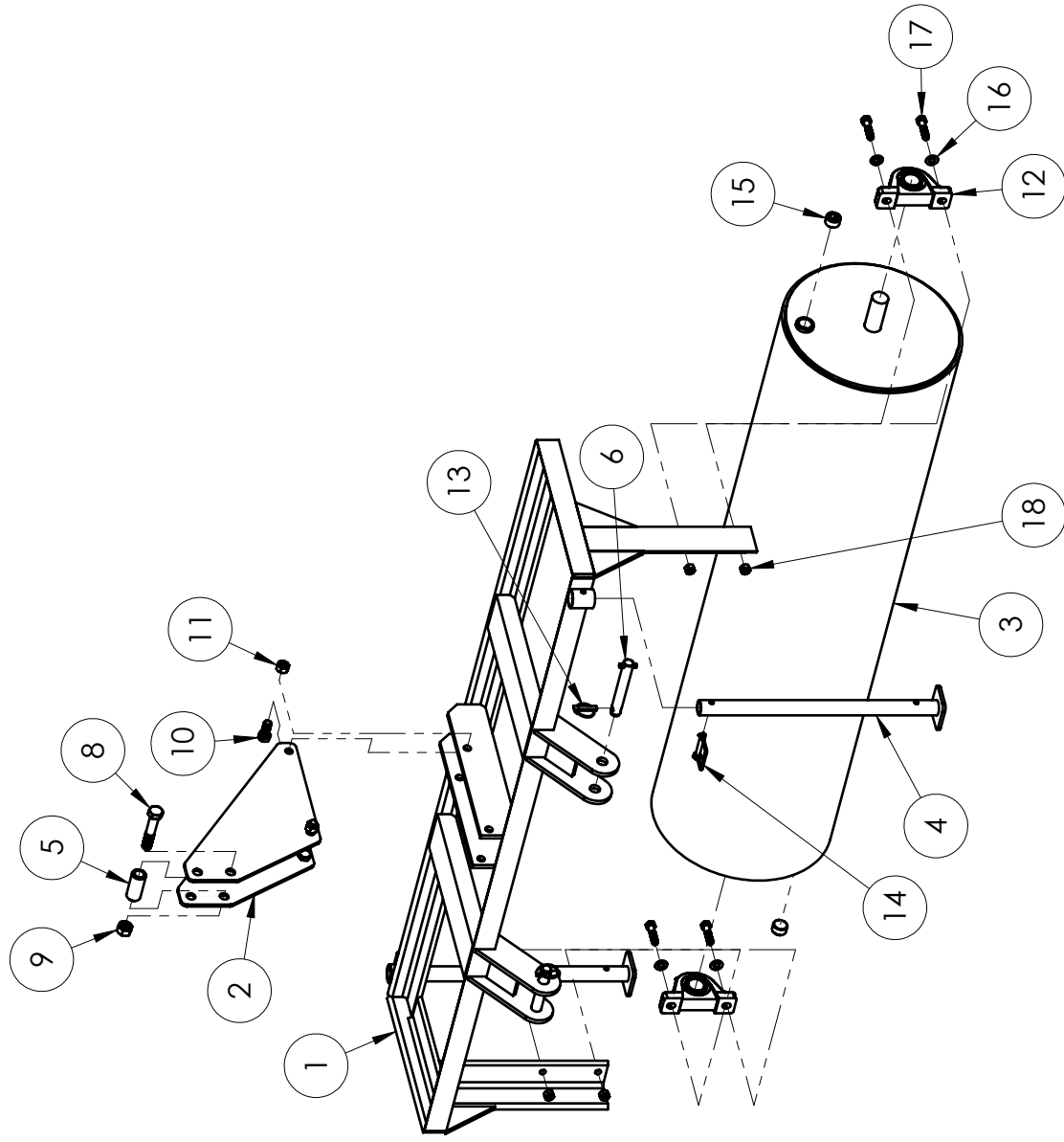


**3 POINT ROLLER COMPACTOR ASSEMBLY**  
MODELS: SC603PT & SC723PT



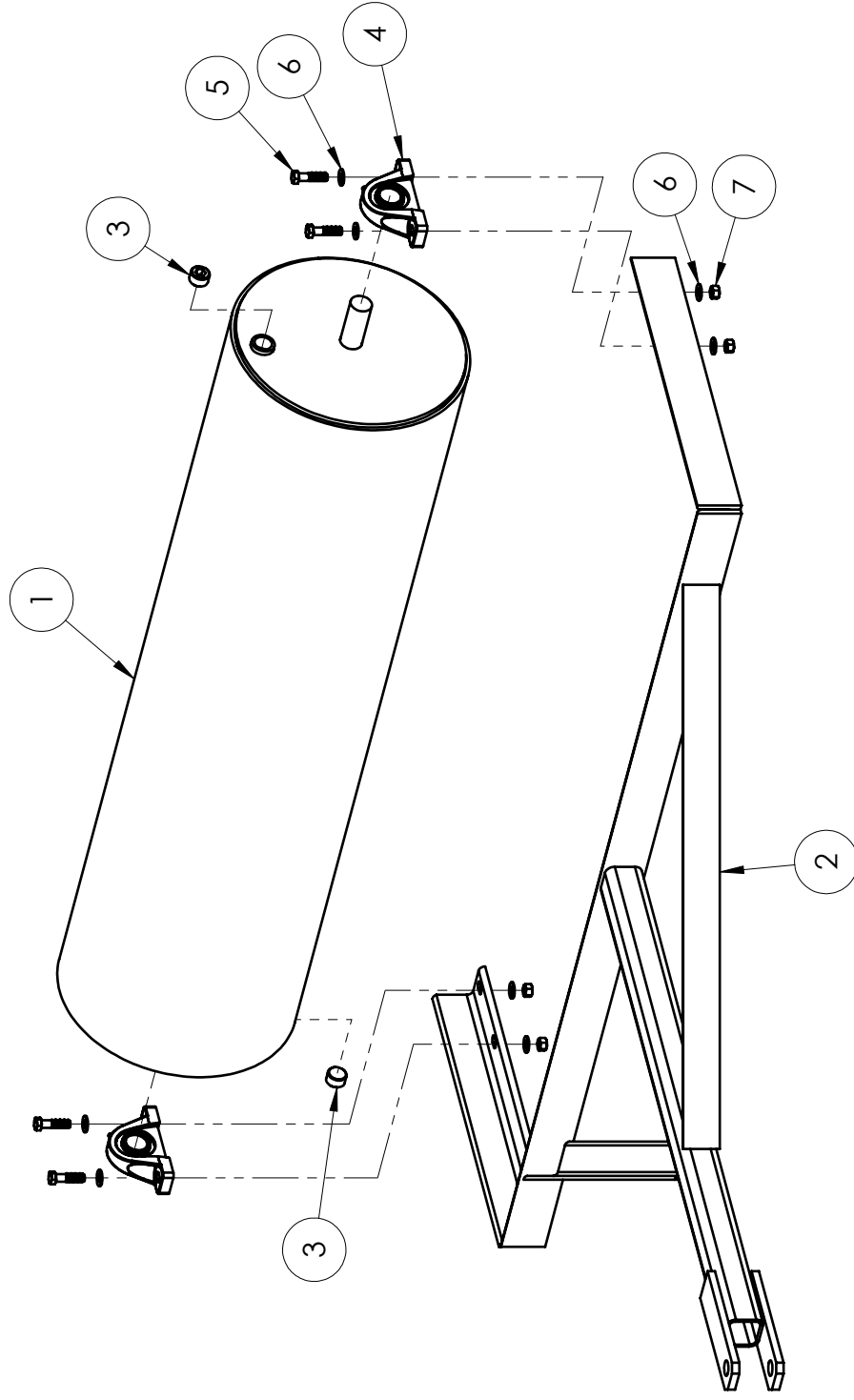
### 3 POINT ROLLER COMPACTOR ASSEMBLY

MODELS: SC603PT & SC723PT

ITEM	QTY	PART NO	DESCRIPTION
1	1	SP-2005	60" 3-Point Frame Weldment
	1	SP-2006	72" 3-Point Frame Weldment (not shown)
2	2	CP-0160	Top Link Plate
3	1	SP-1660	16" Diameter Pipe Roller -- 60" Long
	1	SP-2072	20" Diameter Pipe Roller -- 72" Long (not shown)
4	2	CP-PS21.5	21 1/2" Parking Stand -- SC603PT Only
	2	CP-PS23.5	23 1/2" Parking Stand -- SC723PT Only (not shown)
5	1	CP-0164	Top Link Bushing
6	2	P7234	Cat 1 Clevis Pin
8	1	G-75-4NCCS	3/4" x 4" Gr. 5 NC HHCS
9	1	G-75NCNHN	3/4" NC Nylock Nut
10	4	G-625-1.5NCCS	5/8" x 1 1/2" Gr. 5 NC HHCS
11	4	G-625NCNHN	5/8" NC Nylock Nut
12	2	SP-0101	1 7/16" Pillow Block Bearing
14	2	P791	7/16" Lynch Pin
15	2	P7940	PTO Pin
16	2	SP-0100	1" Pipe Coupler Plug
17	4	G-5SAEFW	1/2" SAE Flat Washer
18	4	G-5-2NCCS	1/2" x 2" Gr. 5 NC HHCS
19	4	G-5NCNHN	1/2" NC Nylock Hex Nut

# PULL TYPE ROLLER COMPACTOR ASSEMBLY

MODELS: SC-60, SC-6020, SC-7220, SC-8420 & SC-9620



## PULL TYPE ROLLER COMPACTOR ASSEMBLY

MODELS: SC60, SC-6020, SC-7220, SC-8420 & SC-9620

ITEM	QTY	PART NO	DESCRIPTION
1	1	SP-1660	16" Diameter Pipe Roller -- 60" Long
	1	SP-2060	20" Diameter Pipe Roller -- 60" Long (not shown)
	1	SP-2072	20" Diameter Pipe Roller -- 72" Long (not shown)
	1	SP-2084	20" Diameter Pipe Roller -- 84" Long (not shown)
	1	SP-2096	20" Diameter Pipe Roller -- 96" Long (not shown)
2	1	SP-1005	60" Pull Frame Weldment
	1	SP-1006	72" Pull Frame Weldment (not shown)
	1	SP-1007	84" Pull Frame Weldment (not shown)
	1	SP-1008	96" Pull Frame Weldment (not shown)
3	2	SP-0100	1" Pipe Coupler Plug
4	2	SP-0101	1 7/16" Pillow Block Bearing
5	4	G-5-2NCCS	1/2" x 2" Gr. 5 NC HHCS
6	8	G-5SAEFW	1/2" SAE Flat Washer
7	4	G-5NCNHN	1/2" NC Nylock Hex Nut