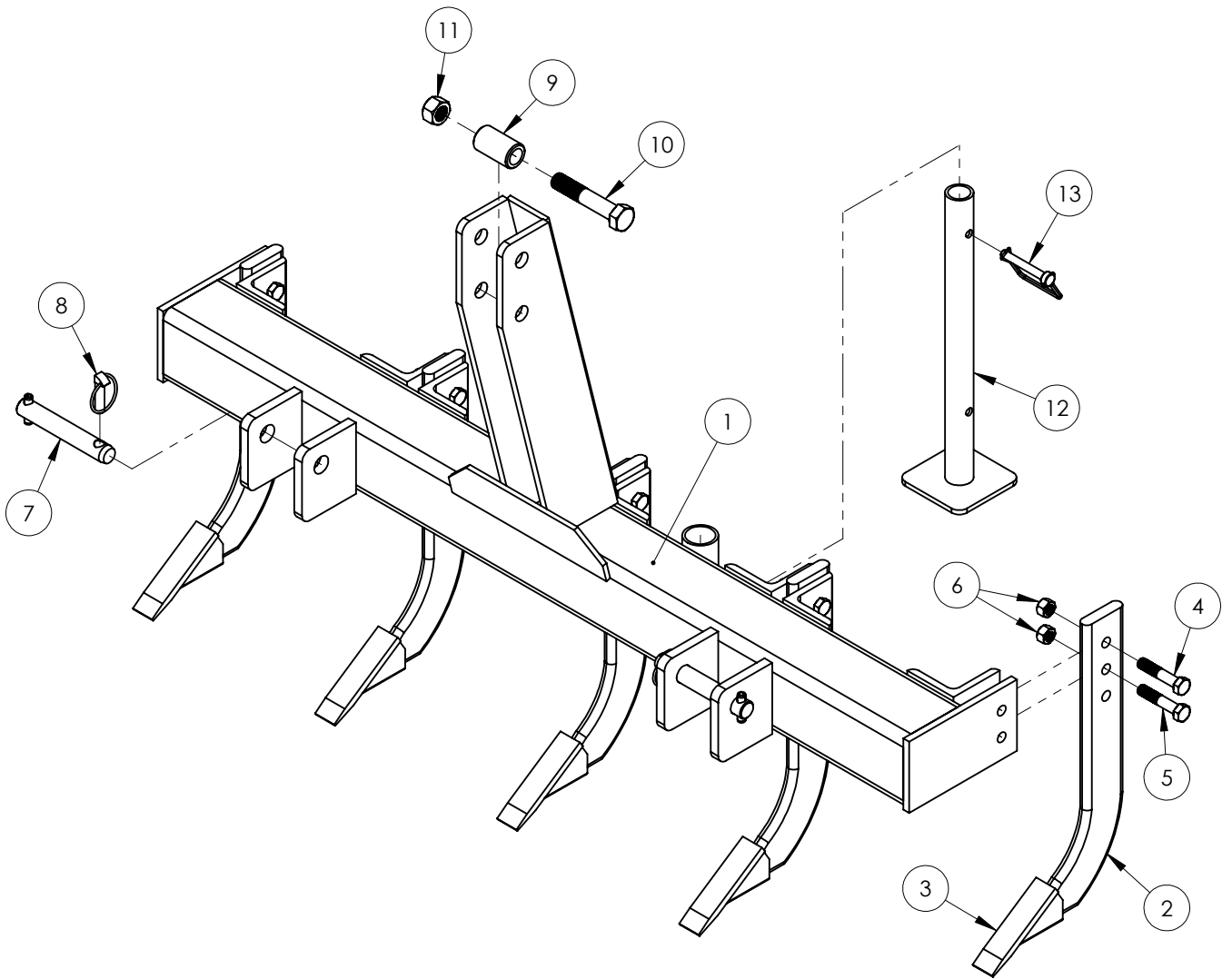


SCARIFIER ASSEMBLY



SCARIFIER ASSEMBLY

PA-5S, PA-6S, & PA-7S

ITEM	QTY	PART NO.	DESCRIPTION
1	1	PA-5	5 Shank Frame Only
1	1	PA-6	6 Shank Frame Only (not shown)
1	1	PA-7	7 Shank Frame Only (not shown)
2	*5, 6, 7	M-10470B	Scarifier Shank W/Point
3	*5, 6, 7	162470	Scarifier Point
4	*5, 6, 7	PA-30	1/2" X 2-1/2" NC Gr. 5 Cap Screw
5	*5, 6, 7	PA-31	1/2" X 2-1/2" NC Gr. 2 Cap Screw (shear bolt)
6	*10, 12, 14	PA-32	1/2" NC Nylock Nut
7	2	AV-0450	Hitch Pin
8	2	AV-0460	7/16" Lynch Pin
9	1	CP-0164-3	2-3/16" Top Link Bushing
10	1	G-75-4-NCCS	3/4" X 4" NC Gr. 5 Cap Screw
11	1	G-75-NCNN	3/4" NC Nylock Nut
12	1	CP-PS16	16" Parking Stand
13	1	TR-783	5/16" PTO Pin

*Quantities Given In Ascending Order According To Unit As Follows PA-5S, PA-6S, PA-7S