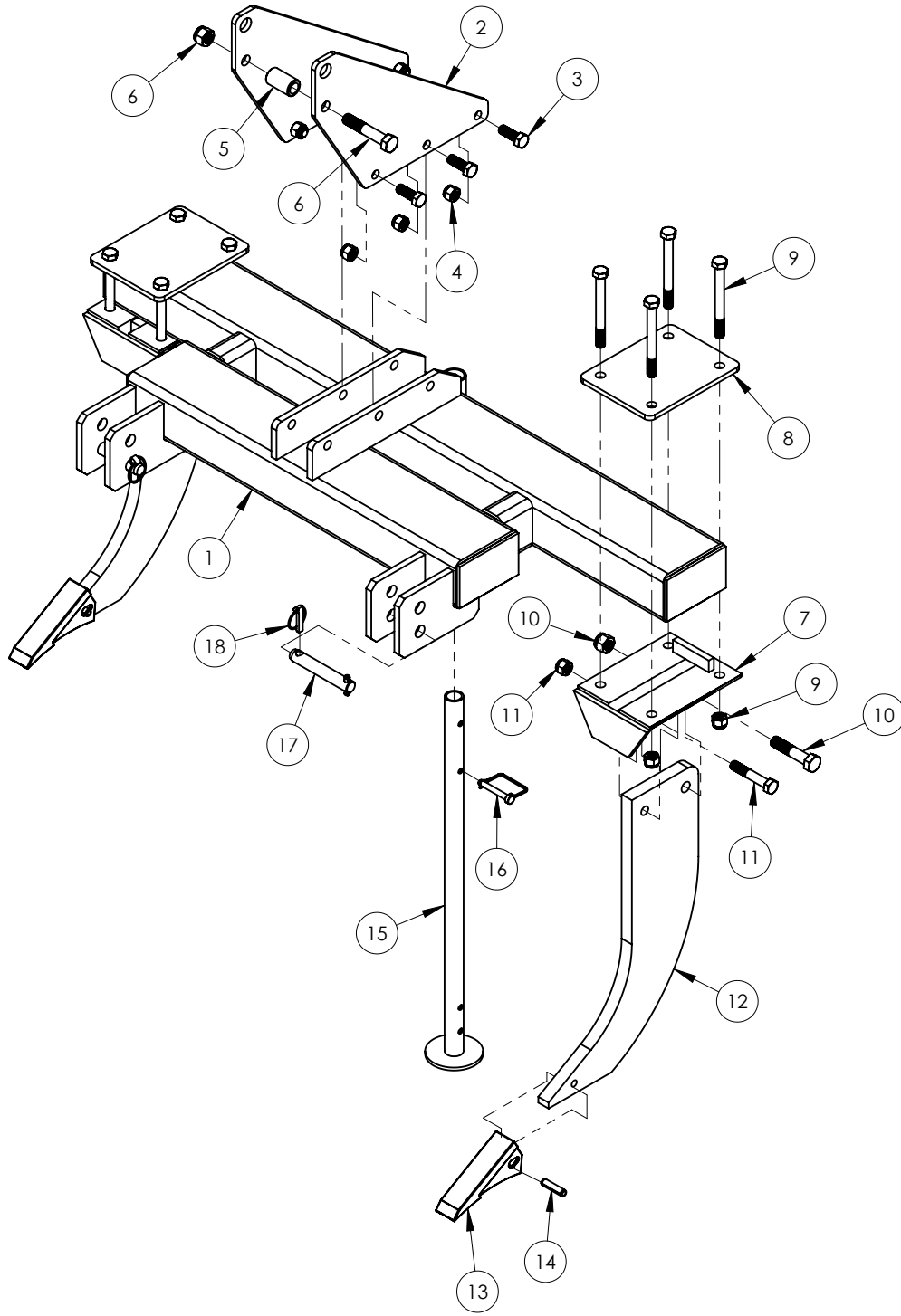


# R2-TIRE TRACK RIPPER ASSEMBLY

(R2-55,67,72,96)



## R2-TIRE TRACK RIPPER ASSEMBLY

(R2-55,67,72,96)

ITEM	QTY	PART NO.	DESCRIPTION
1	1	R2-55-1001	R2-55 Frame Only
REF	1	R2-67-1001	R2-67 Frame Only (not shown)
REF	1	R2-72-1001	R2-72 Frame Only (not shown)
REF	1	R2-96-1001	R2-96 Frame Only (not shown)
2	2	CP-0160-C	Top Link Plate
3	6	007-102-1	5/8" x 1 3/4" NC Gr. 5 Cap Screw
4	6	064-013-1	5/8" NC Nylock Nut
5	1	330	Top Link Bushing
6	1	331	3/4" x 4" NC Gr. 5 Cap Screw (w/nylock nut)
7	2	R2-0200	Shank Pocket
8	2	R2-0300	Clamp Plate 3/8" x 8"
9	8	315	5/8" x 6" NC Gr. 5 Cap Screw (w/nylock nut)
10	2	316	3/4" x 3 1/2" NC Gr. 5 Cap Screw (w/nylock nut)
11	2	317	5/8 x 3-1/2 NC Gr. 2 Cap Screw (w/nylock nut) (Ref #8401)
12	2	304	1" x 22" Shank Only
REF	2	305	1" x 22" Hardfaced Shank with Point (not shown)
13	2	306	Pengo Point (Ref #8408)
REF	2	318	Hardfaced Pengo 210 Point (not shown) (Ref #8414)
14	2	311	1/2" x 2" Roll Pin (Ref #8409)
15	1	PS-30	Pipe Stand
16	1	313	Stand Pin (Ref #8411)
17	2	307	Cat. 1 Lift Arm Pin
REF	2	OE570332	Cat. 1 & 2 Lift Arm Pin (not shown) (for models R2-72 & R2-96)
18	2	314	Lynch Pin (Ref #8413)
REF	2	R2-0500	Complete Shank Assembly (see below)
REF	2	325	Complete Shank w/Point & Roll Pin
			<b>PARTS INCLUDED WITH R2-0500 COMPLETE SHANK ASSEMBLIES</b>
12	1	304	1" x 22" Shank Only
13	1	306	Pengo 210 Point
8	1	R2-0300	Clamp Plate 3/8" x 8"
7	1	R2-0200	Shank Pocket
14	1	311	1/2" Roll Pin
9	4	315	5/8" x 6" NC Gr. 5 Cap Screw (w/nylock nut)
10	1	316	3/4" x 3 1/2" NC Gr. 5 Cap Screw (w/nylock nut)
11	1	317	5/8" x 3 1/2" NC Gr. 2 Cap Screw (w/nylock nut)