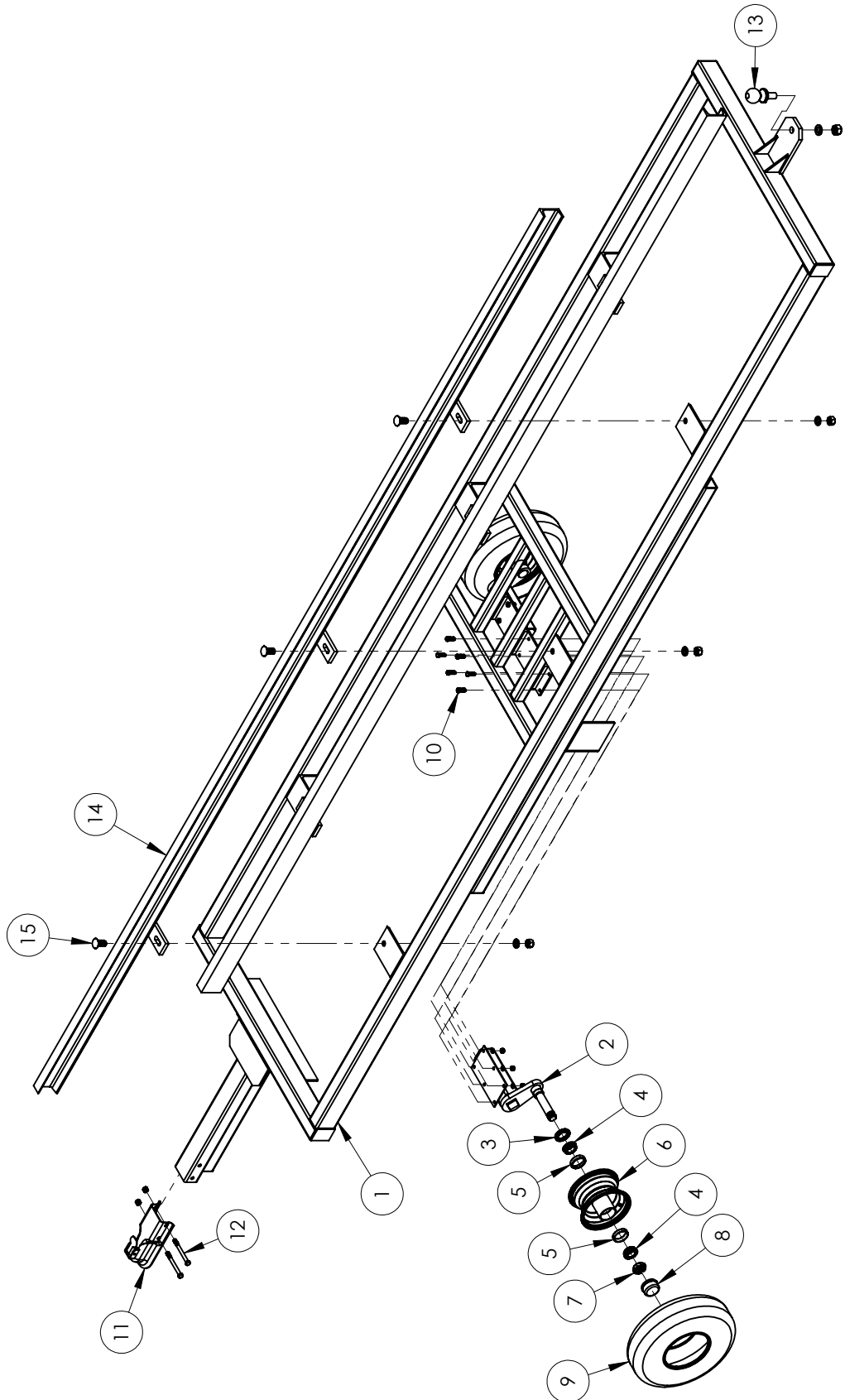


# TR-900 EMPTY BIN HAULER ASSEMBLY



## TR-900 EMPTY BIN HAULER ASSEMBLY

ITEM	QTY	PART NO	DESCRIPTION
1	1	TR-900-FRAME	Main Frame
2	1	LW-0421	Left Hand Flex Axle
REF	1	LW-0420	Right Hand Flex Axle
	REF	LW-0400	Flex Axle Pair
3	2	LW-0411	Seal, National 471750, C/R 12428, SL-122-1
4	4	LW-0412	L44643 Bearing
5	4	LW-0413	L44610 Race
6	2	LW-0401	6" Wheel
7	2	LW-0407	1" Slotted Nut
8	2	LW-0405	Grease Cap
9	2	LW-0404	5.30 x 6 Ply Tire w/Tube
10	12	G-1875-1-NCCS	5/16" x 1" Gr. 5 NC Cap Screw w/Hex Nut and Lock Washer
11	1	LW-0403	1 7/8" Coupler, Fulton 11300-0301
12	2	G-375-4-NCCS	3/8" x 4" Gr. 5 NC Cap Screw w/Nylock Nut
13	1	LW-0414	1 7/8" Ball
	REF	LW-0402	6" Tire & Wheel Assembly
14	1	TR-900-N-LH	Left Hand Bolt On Rail (Option for narrow bins)
REF	1	TR-900-N-RH	Right Hand Bolt On Rail (Option for narrow bins)
15	6	G-625-2-NCCB	5/8" x 2" NC Carriage Bolt w/Hex Nut & Lock Washer (Option for narrow bins)
	OPT	TR-900-N	Pair, Bolt On Rails (Option for narrow plastic bins)