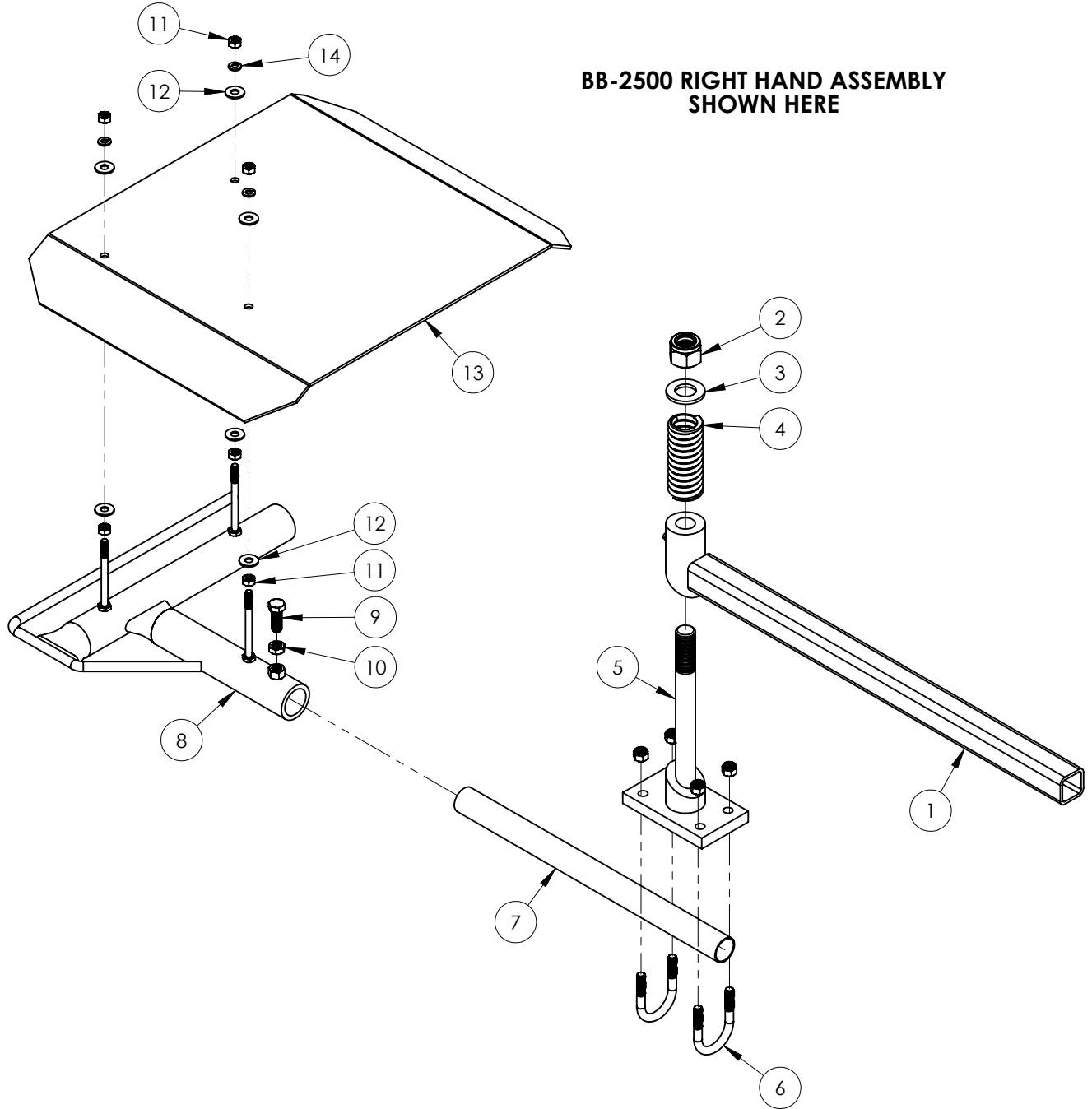


# BB-2500/2501 BREAK AWAY ASSEMBLY



## BB-2500/2501 BREAK AWAY ASSEMBLY

ITEM	QTY	PART NO	DESCRIPTION
1	1	SH-0110	Slide Arm
2	1	G-75-NCNN	3/4" NC Nylock Nut
3	1	G-75-SAEFW	3/4" SAE Flat Washer
4	1	BB-810	Spring
5	1	SH-0120	Pivot Shaft Bracket
6	2	HR-0223	5/16" U-Bolt w/Nylock Nuts
7	1	SH-0109	Mounting Pipe
8	1	LW-5190-S4RH	Right Hand Head
	1	LW-5190-S4LH	Left Hand Head (not shown)
9	1	G-375-1-NCCS	3/8" x 1" Gr. 5 NC Cap Screw
10	1	G-375-NCJN	3/8" NC Jam Nut
11	6	G-25-NCHN	1/2" NC Hex Nut
12	6	G-25-USSF	1/2" USS Flat Washer
13	1	LW-5190-46	Lexan Sheild
14	3	G-25-LW	1/4" Lock Washer