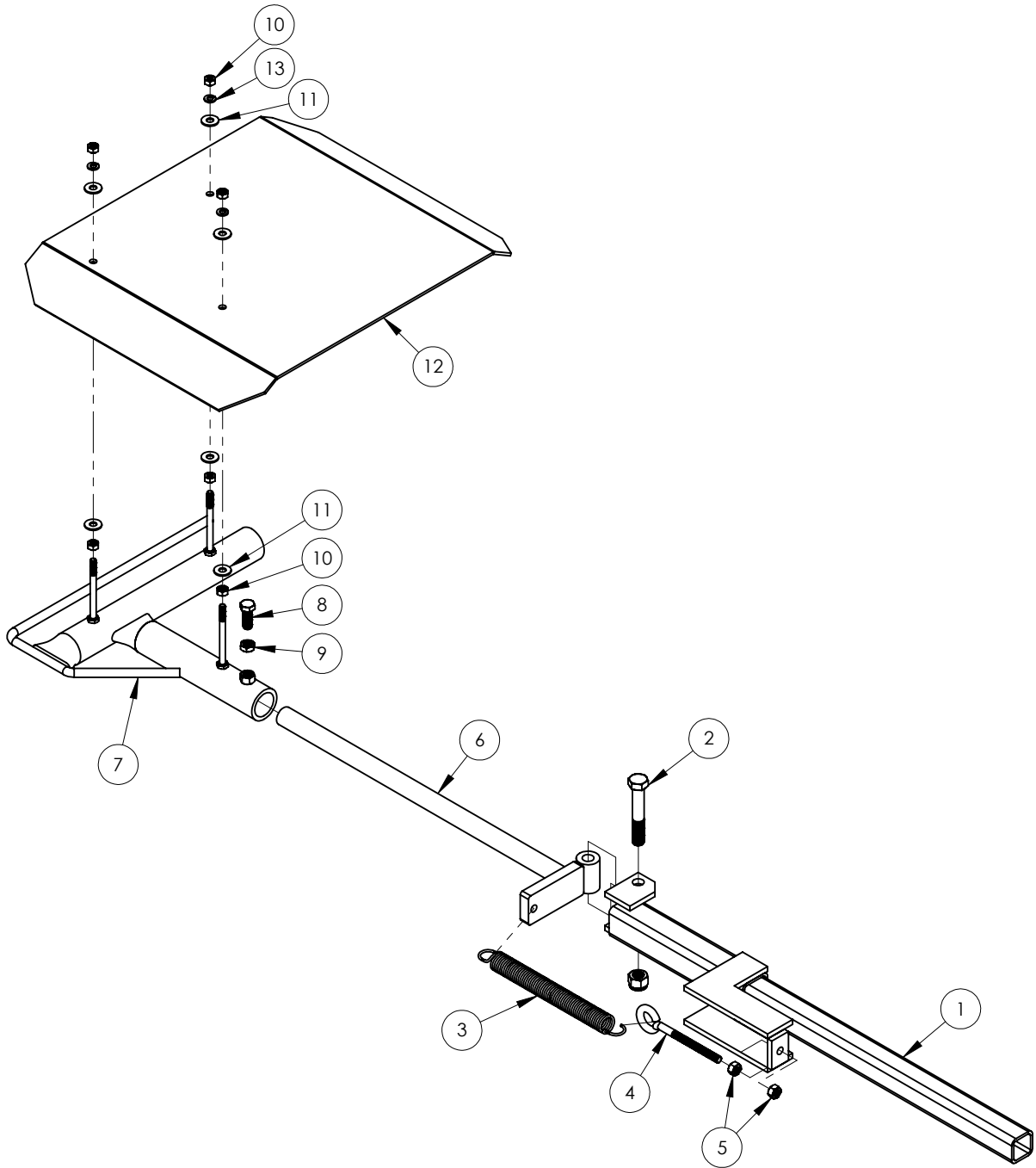


LW-5180 BREAK AWAY ASSEMBLY



LW-5180 BREAK AWAY ASSEMBLY

ITEM	QTY	PART NO	DESCRIPTION
1	1	LW-5190-S8	Slide Arm
2	1	G-5-3-NCCS-NN	1/2" x 3" Gr. 5 NC Cap Screw w/Nylock Nuts
3	1	C-277	Spring
4	1	G-3125-5-NCEB	5/16" Eye-Bolt
5	2	G-3125-NCHN	5/16" NC Hex Nut
6	1	LW-5190-S9	Pivot Arm
7	1	LW-5190-S4RH	Right Hand Head
	1	LW-5190-S4LH	Left Hand Head (not shown)
8	1	G-375-1-NCCS	3/8" x 1" Gr. 5 NC Cap Screw
9	1	G-375-NCJN	3/8" NC Jam Nut
10	6	G-25-NCHN	1/4" NC Hex Nut
11	6	G-25-USSFV	1/2" USS Flat Washer
12	1	LW-5190-46	Lexan Sheild
13	3	G-25-LW	1/4" Lock Washer