



SPRAY BOOMS

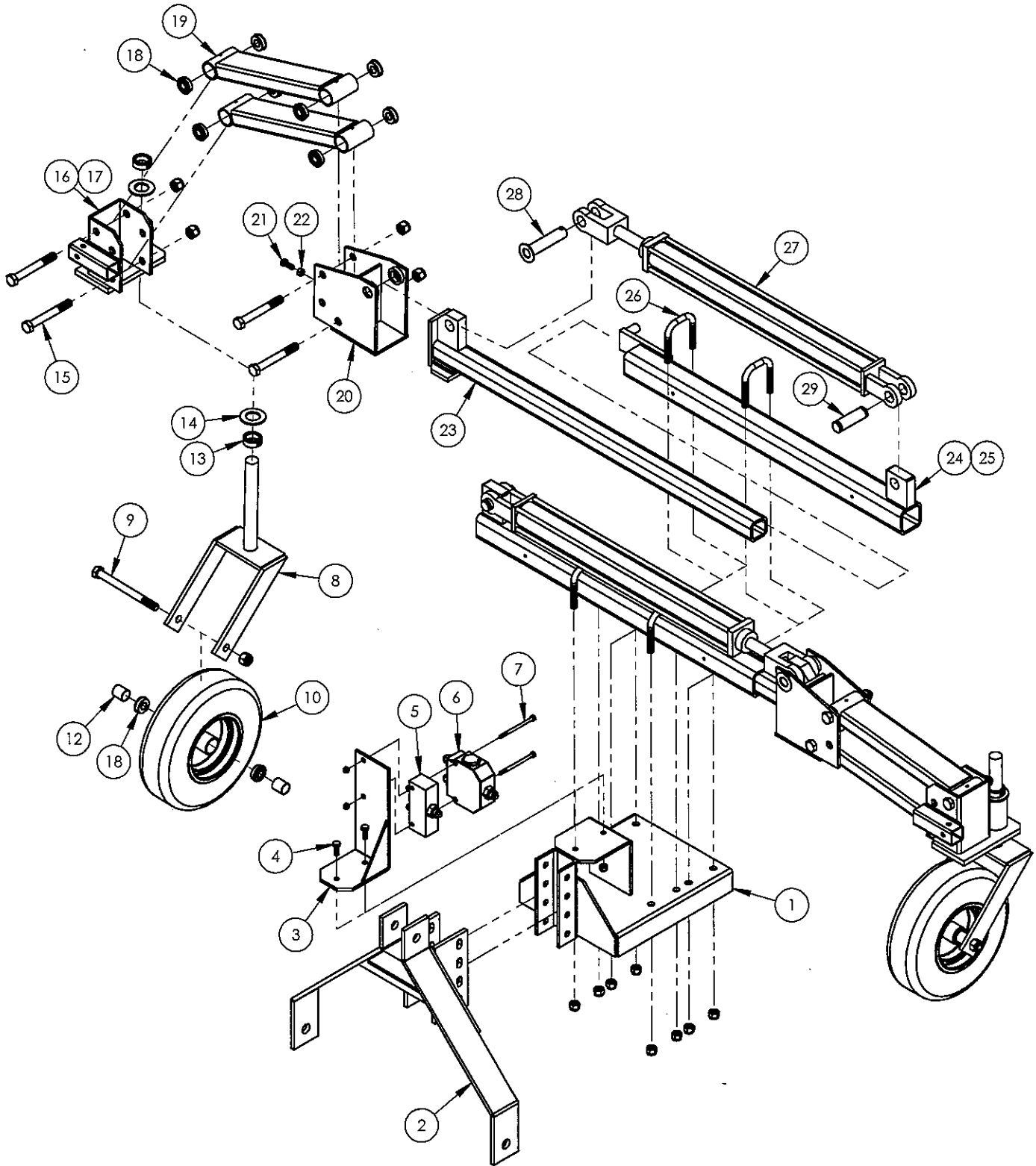
MODEL BB1018

MODEL BB710

PARTS MANUAL

May 2010

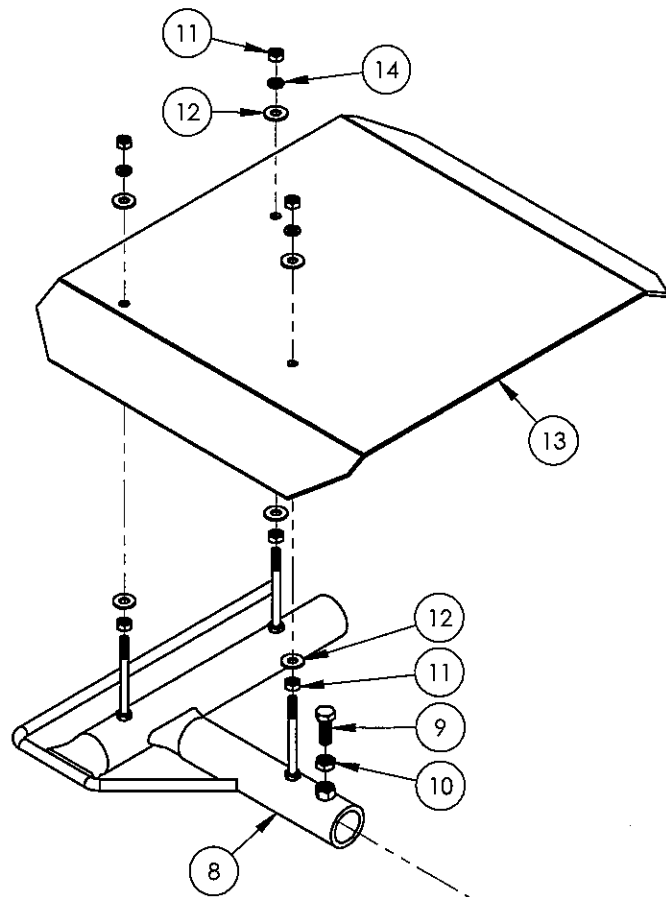
BB1018 SPRAY BOOM ASSEMBLY



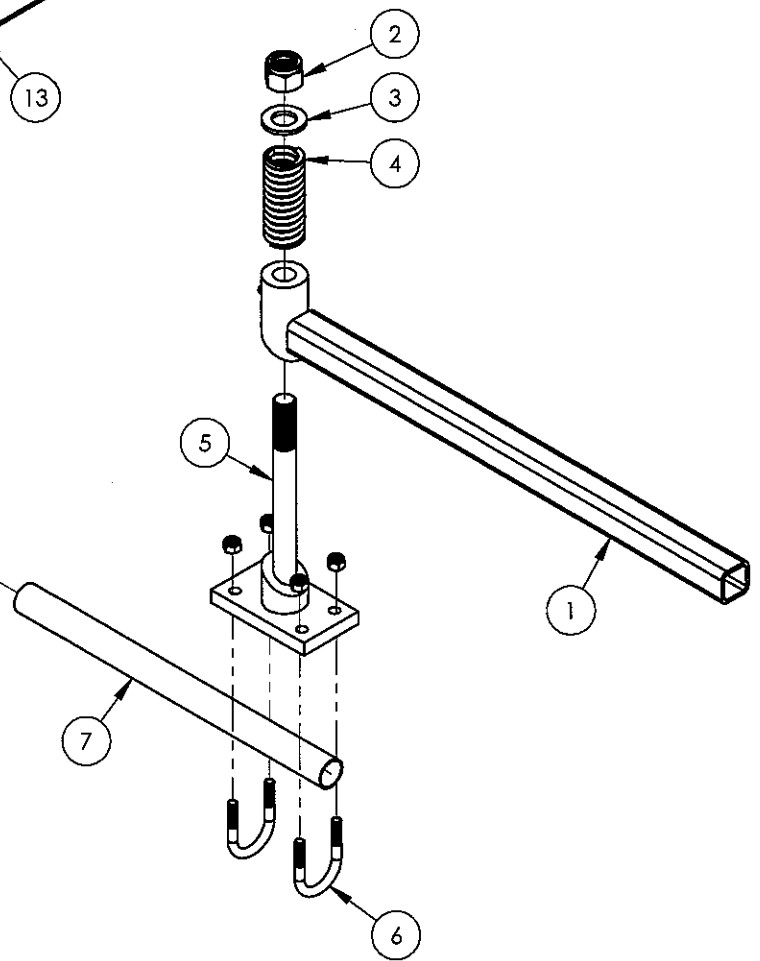
BB1018 SPRAY BOOM ASSEMBLY

ITEM	QTY	PART NO	DESCRIPTION
1	1	BB-2122	Standard Slide Mount
2	1	BB-2131	3 Point Mount
REF		Ref. Tractor Model	Front Mount dependant on Tractor Model (not shown)
3	1	BB-0114	Valve Mount
4	2	G-375-1-NCCS-NN	3/8" x 1" Gr. 5 NC Cap Screw w/Nylock Nut
5	1	BB-0305	BT-1 Manifold
	2	6400-6	6MJ-6MOR Adapter
	1	6400-8	8MJ-8MOR Adapter
REF	1	BB-270-113	Manifold Tee (2010 & Later)(not shown)
	1	6408-10	10MOR Hex Head Plug
	2	6400-6	6MJ-6MOR Adapter
	1	6400-8-6	8MJ-6MOR Adapter
6	1	BB-0301	RD-1550 Divider Combiner
	2	2404-6-8	6MJ-8MP Adapter
	1	2404-8-8	8MJ-8MP Adapter
REF	1	BB-273-538	Divider Combiner Cartridge w/Body (2010 & Later)(not shown)
	1	BB-273-523	FD50-45-44 Cartridge
	2	6400-6	6MJ-6MOR Adapter
	1	6400-8-6	8MJ-6MOR Adapter
7	2	G-25-4-NCCS-NN	1/4" x 4" Gr. 5 NC Cap Screw w/Nylock Nut
8	2	BB-2128	Gauge Wheel Yoke
9	2	G-625-7-NCCS-NN	5/8" x 7" Gr. 5 NC Cap Screw w/Nylock Nut
10	2	LW-0560	13 x 5.00-6 Wheel & Tire w/Bearings
12	4	BB-0129	Spacer
13	4	SC-102	1 1/8" Shaft Collar
14	4	1-SAE-FW	1" SAE Flat Washer
15	8	G-625-5-NCCS-NN	5/8" x 5" Gr. 5 NC Cap Screw w/Nylock Nut
16	1	BB-2108-LH	Left Hand Head Mounting Bracket
17	1	BB-2108-RH	Right Hand Head Mounting Bracket
18	16	BB-0310	5/8" Bearing
19	4	BB-2112	Parallel Arm
20	2	BB-2101	Pivot Bracket
21	2	G-375-1-NCCS	3/8" x 1" Gr. 5 NC Cap Screw
22	2	G-375-NCJN	3/8" NC Jam Nut
23	2	BB-2116	Slide Weldment
24	1	BB-2118-LH	Left Hand Receiver Weldment
25	1	BB-2118-RH	Right Hand Receiver Weldment
26	4	BB-0135	2 1/2" x 3 1/2" x 1/2" NC U-Bolt w/Nylock Nut
27	2	BB-0300	2" x 24" Hydraulic Cylinder
	4	2501-6-6	6MJ-6MP 90 Degree Adapter
28	2	BB-0125	1" x 4 1/2" Pin w/Cotter Pin
29	2	HR-0317	Cylinder Pin w/Keepers
	2	BB-0300	1/2" Hydraulic Hose -- 192" Long
	1	BB-0301	3/8" Hydraulic Hose -- 30" Long
	1	BB-0302	3/8" Hydraulic Hose -- 20" Long
	1	BB-0303	3/8" Hydraulic Hose -- 21 1/2" Long
	1	BB-0304	3/8" Hydraulic Hose -- 33" Long

BB-2500/2501 BREAK AWAY ASSEMBLY



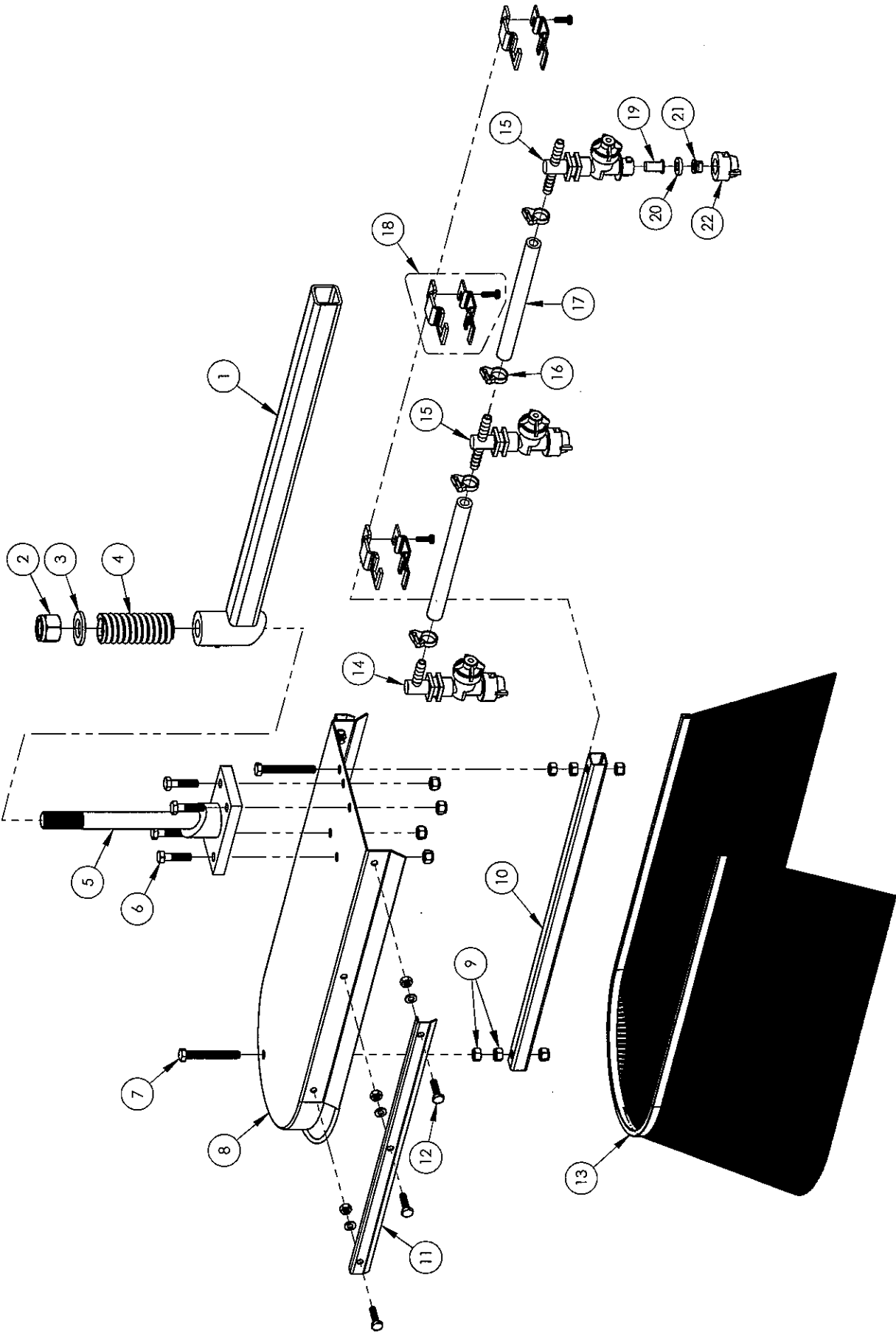
**BB-2500 RIGHT HAND ASSEMBLY
SHOWN HERE**



BB-2500/2501 BREAK AWAY ASSEMBLY

ITEM	QTY	PART NO	DESCRIPTION
1	1	SH-0110	Slide Arm
2	1	G-75-NCNN	3/4" NC Nylock Nut
3	1	G-75-SAEFW	3/4" SAE Flat Washer
4	1	BB-810	Spring
5	1	SH-0120	Pivot Shaft Bracket
6	2	HR-0223	5/16" U-Bolt w/Nylock Nuts
7	1	SH-0109	Mounting Pipe
8	1	LW-5190-S4RH	Right Hand Head
	1	LW-5190-S4LH	Left Hand Head (not shown)
9	1	G-375-1-NCCS	3/8" x 1" Gr. 5 NC Cap Screw
10	1	G-375-NCJN	3/8" NC Jam Nut
11	6	G-25-NCHN	1/2" NC Hex Nut
12	6	G-25-USSFV	1/2" USS Flat Washer
13	1	LW-5190-46	Lexan Sheild
14	3	G-25-LW	1/4" Lock Washer

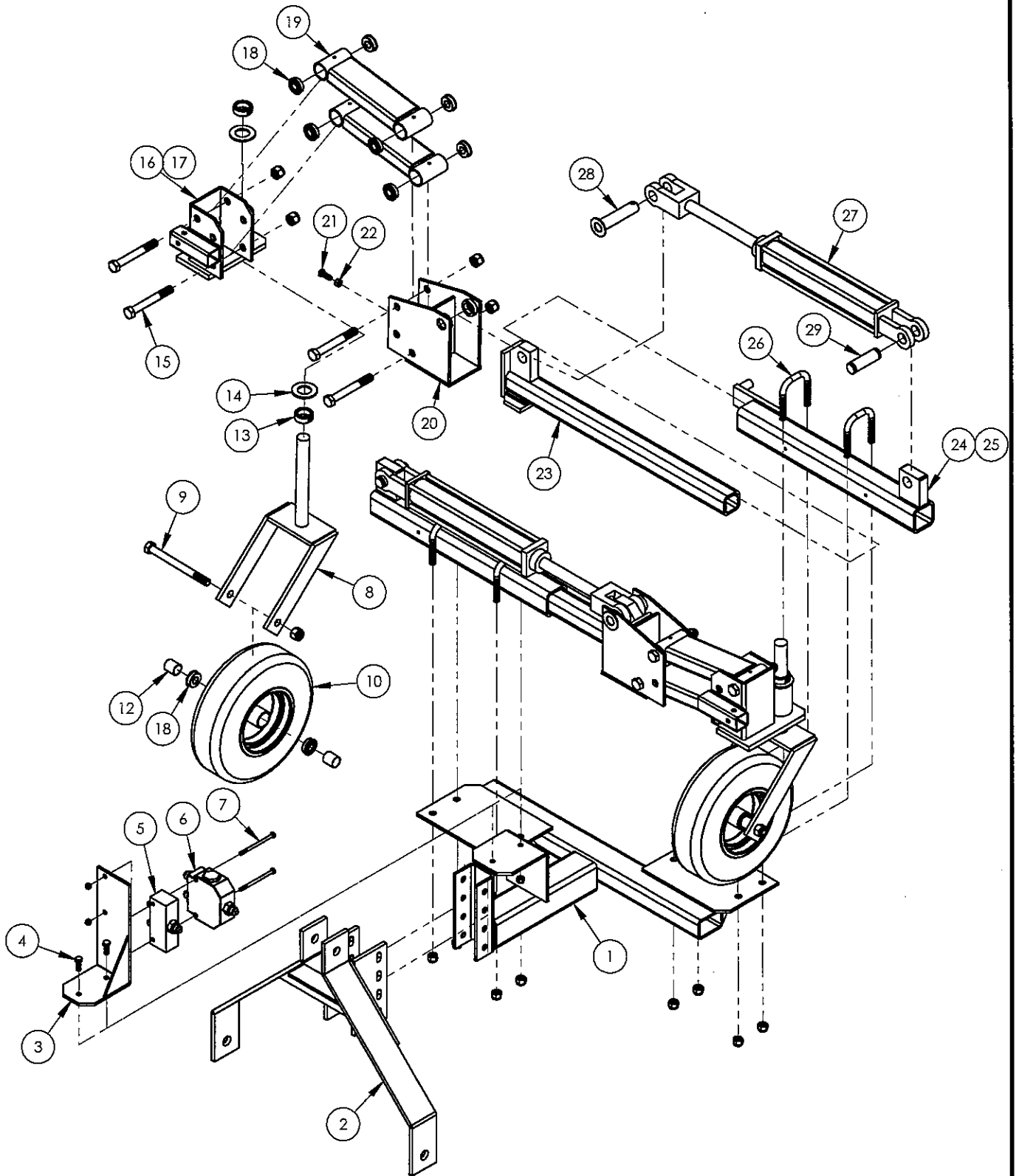
BB50/1 BOOM SPRAY HEAD ASSEMBLY



BB50/1 BOOM SPRAY HEAD ASSEMBLY

ITEM	QTY	PART NO	DESCRIPTION
1	1	SH-0110	Slide Arm
2	1	G-75-NCNN	3/4" NC Nylock Nut
3	1	G-75-SAEFW	3/4" SAE Flat Washer
4	1	BB-810	Spring
5	1	SH-0120	Pivot Shaft Bracket
6	4	HR-0223	5/16" x 1 1/4" Gr. 5 NC Cap Screw w/Nylock Nut
7	2	G-3125-2.5-NCTB-NN	5/16" x 2 1/2" Gr. 5 NC Tap Bolt w/Nylock Nut
8	1	SH-0130	Head Cover
9	4	G-3125-NCHN	5/16" NC Hex Nut
10	1	SH-0151	Nozzle Mount Tube
11	2	SH-0152	Brush Clamp
12	6	G-25-1-NCCS-HNLW	1/4" x 1 Gr. 5 NC Cap Screw w/Hex Nut & Lock Washer
13	1	BB-1000	Brush
14	1	SH-0163	L-Body
REF	1	SH-0160	Complete L-Body Nozzle (includes items #14,18,19,20,21 & 22)
15	2	SH-0164	T-Body
REF	1	SH-0162	Complete T-Body Nozzle (includes items #15,18,19,20,21 & 22)
16	4	SH-0171	Hose Clamp
17	2	SH-0170	Hose
18	3	SH-0165	3/4" Quick Clamp
19	3	SH-0169	Strainer
20	3	SH-0168	Seal
21	3	SH-0166	Brass Tip
22	3	SH-0167	Cap

BB-710 SPRAY BOOM ASSEMBLY



BB710 SPRAY BOOM ASSEMBLY

ITEM	QTY	PART NO	DESCRIPTION
1	1	BB-2122V	Standard Slide Mount
2	1	BB-2131	3 Point Mount
REF		Ref. Tractor Model	Front Mount dependant on Tractor Model (not shown)
3	1	BB-0114	Valve Mount
4	2	G-375-1-NCCS-NN	3/8" x 1" Gr. 5 NC Cap Screw w/Nylock Nut
5	1	BB-0305	BT-1 Manifold
	2	6400-6	6MJ-6MOR Adapter
	1	6400-8	8MJ-8MOR Adapter
REF	1	BB-270-113	Manifold Tee (2010 & Later) (not shown)
	1	6408-10	10MOR Hex Head Plug (not shown)
	2	6400-6	6MJ-6MOR Adapter (not shown)
	1	6400-8-6	8MJ-6MOR Adapter (not shown)
6	1	BB-0301	RD-1550 Divider Combiner
	2	2404-6-8	6MJ-8MP Adapter
	1	2404-8-8	8MJ-8MP Adapter
REF	1	BB-273-538	Divider Combiner Cartridge w/Body (2010 & Later) (not shown)
	1	BB-273-523	FD50-45-44 Cartridge (not shown)
	2	6400-6	6MJ-6MOR Adapter (not shown)
	1	6400-8-6	8MJ-6MOR Adapter (not shown)
7	2	G-25-4-NCCS-NN	1/4" x 4" Gr. 5 NC Cap Screw w/Nylock Nut
8	2	BB-2128	Gauge Wheel Yoke
9	2	G-625-7-NCCS-NN	5/8" x 7" Gr. 5 NC Cap Screw w/Nylock Nut
10	2	LW-0560	13 x 5.00-6 Wheel & Tire w/Bearings
12	4	BB-0129	Spacer
13	4	SC-102	1 1/8" Shaft Collar
14	4	1-SAE-FW	1" SAE Flat Washer
15	8	G-625-5-NCCS-NN	5/8" x 5" Gr. 5 NC Cap Screw w/Nylock Nut
16	1	BB-2108-LH	Left Hand Head Mounting Bracket
17	1	BB-2108-RH	Right Hand Head Mounting Bracket
18	16	BB-0310	5/8" Bearing
19	4	BB-2112V	Parallel Arm
20	2	BB-2101	Pivot Bracket
21	2	G-375-1-NCCS	3/8" x 1" Gr. 5 NC Cap Screw
22	2	G-375-NCJN	3/8" NC Jam Nut
23	2	BB-2116V	Slide Weldment
24	1	BB-2118V-LH	Left Hand Receiver Weldment
25	1	BB-2118V-RH	Right Hand Receiver Weldment
26	4	BB-0135	2 1/2" x 3 1/2" x 1/2" NC U-Bolt w/Nylock Nut
27	2	BB-0300V	2" x 12" Hydraulic Cylinder
	4	2501-6-6	6MJ-6MP 90 Degree Adapter (not shown)
28	2	BB-0125	1" x 4 1/2" Pin w/Cotter Pin
29	2	HR-0317	Cylinder Pin w/Keepers
	2	BB-0300	1/2" Hydraulic Hose -- 192" Long (not shown)
	1	BB-0301	3/8" Hydraulic Hose -- 30" Long (not shown)
	1	BB-0302	3/8" Hydraulic Hose -- 20" Long (not shown)
	1	BB-0303	3/8" Hydraulic Hose -- 21 1/2" Long (not shown)
	1	BB-0304	3/8" Hydraulic Hose -- 33" Long (not shown)

LW-5180 BREAK AWAY ASSEMBLY

ITEM	QTY	PART NO	DESCRIPTION
1	1	LW-5190-S8	Slide Arm
2	1	G-5-3-NCCS-NN	1/2" x 3" Gr. 5 NC Cap Screw w/Nylock Nuts
3	1	C-277	Spring
4	1	G-3125-5-NCEB	5/16" Eye-Bolt
5	2	G-3125-NCHN	5/16" NC Hex Nut
6	1	LW-5190-S9	Pivot Arm
7	1	LW-5190-S4RH	Right Hand Head
	1	LW-5190-S4LH	Left Hand Head (not shown)
8	1	G-375-1-NCCS	3/8" x 1" Gr. 5 NC Cap Screw
9	1	G-375-NCJN	3/8" NC Jam Nut
10	6	G-25-NCHN	1/2" NC Hex Nut
11	6	G-25-USSFV	1/2" USS Flat Washer
12	1	LW-5190-46	Lexan Sheild
13	3	G-25-LW	1/4" Lock Washer

LW-5180 BREAK AWAY ASSEMBLY

